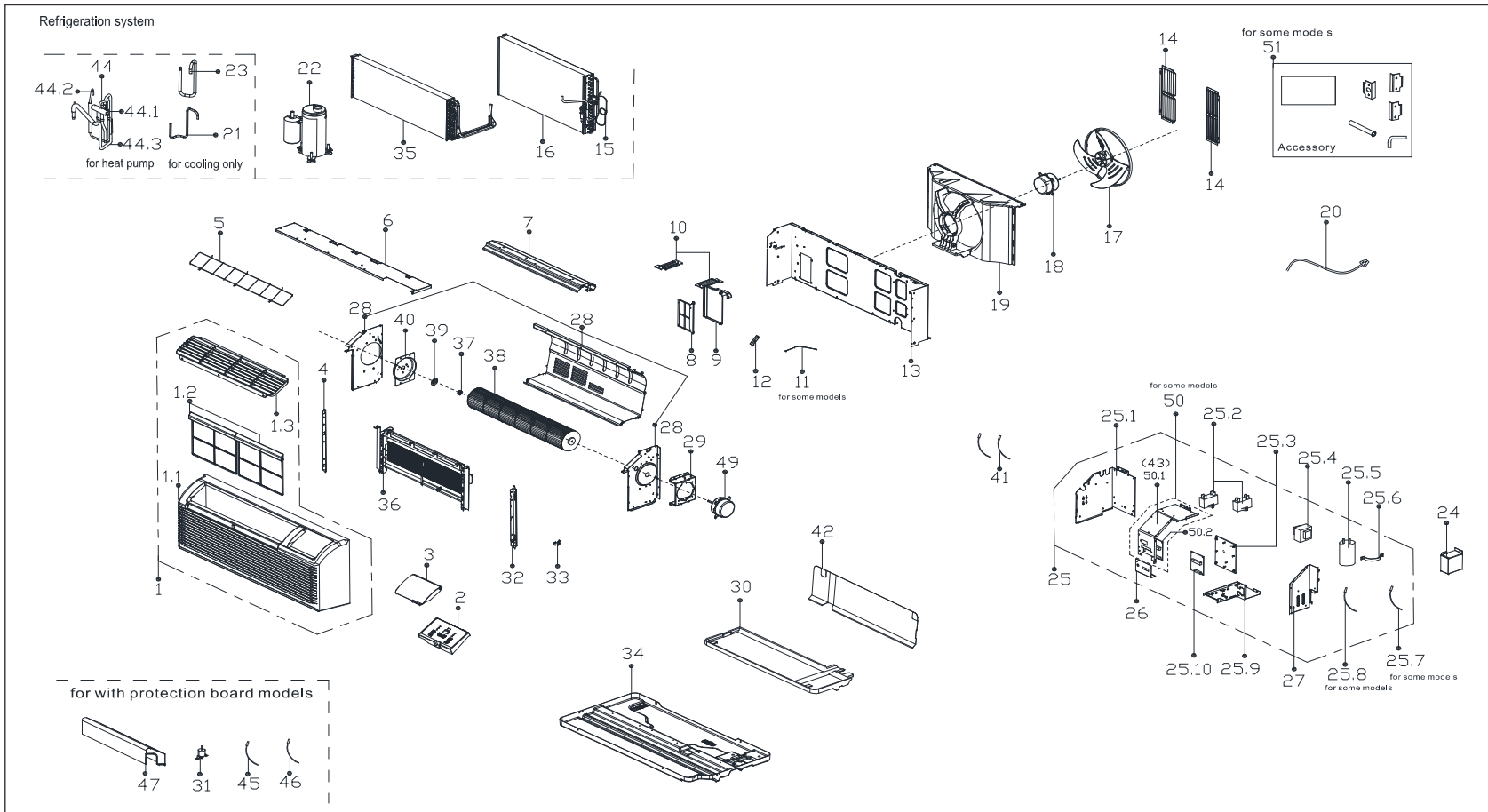


PTAC09H352-KC EXPLODED DIAGRAM - PARTS VIEW

Sales Model: PTAC09H352-KC | MWIUP-09EEN1-ML8

Power Supply: 208-230V / 1ph / 60Hz



This information is to be used by qualified HVAC technicians only and is subject to revision without notice

PTAC09H352-KC - Drawing No. D6CK200801

DATE 20-08

PTAC09H352-KC - SPARE PARTS LIST

No.	Part Number	Part Name	Specifications	Stock No.	Qty.	Price	Remarks
1	12120300000261	Panel frame subassembly			1	\$172.95	
1.1	12120300003185	Panel frame			1		
1.2	12120300A03940	Air filter			2	\$14.25	
1.3	12120300003184	Air outlet frame			1		
2	17220300004350	Display box subassembly			1		US1-KCD45P/DN1Z.JD.WS.XS.XK1.15
3	12120300001399	Control panel cover			1	\$9.15	
4	12220300000534	Fixing board(left)			1	\$4.35	
5	12220300000533	Rear net			1	\$24.96	
6	12220300000522	Front cover			1	\$37.95	
7	12220300000518	Volute shell			1	\$30.03	
8	12120300001288	Filter			1	\$4.05	
9	12220300000262	Fresh air door			1	\$8.40	
10	12220300000566	Linker for front separating board			2	\$2.40	
12	12220300000312	Connecting rod of fresh air door			1	\$0.60	
13	12220300000128	Front separating board			1	\$85.51	
14	12220300000517	Horizontal louver			2	\$12.84	
15	15120300006082	Capillary assembly			1		
16	15820300002882	Condenser assembly			1		
17	12100105000064	Axial flow fan	ZL-335*102*8-3FN		1	\$45.43	
18	11002012034394	Single phase asynchronous motor	YKT-37-4-203L		1		
19	12120300000552	Rear separating			1	\$67.30	
20	17401202000107	Power cord subassembly			1	\$163.20	
21	15120300006086	Discharge pipe assembly			1		
22	11103010003629	Fixed Speed Rotary Compressor	ASN68N2VDZB1		1	\$293.59	

This information is to be used by qualified HVAC technicians only and is subject to revision without notice

PTAC09H352-KC - Parts List No. P6CK200801

Above prices are subject to S&H charges

DATE 20-08

PTAC09H352-KC - SPARE PARTS LIST

No.	Part Number	Part Name	Specifications	Stock No.	Qty.	Price	Remarks
23	15120300006085	Suction pipe assembly			1		
24	12220300000277	Line Board of Electrical Control Box			1	\$9.60	
25	17220300004351	Electronic control box subassembly			1		
25.1	12220300000278	Rear Plate of Electrical Control Box			1	\$24.60	
25.2	17400101000084	Fan motor capacitor	3uF/450V-P2		1	\$14.70	
25.2	17400101000078	Fan motor capacitor	1uF/450V-P2		1	\$8.85	
25.3	12120300001401	Main control board holder			1	\$7.35	
25.4	11203103000087	Linear Transformer	TT220-EI48-24/80-F1		1	\$71.20	
25.5	17400103000007	Capacitor of compressor	20UF/450V-45-P2(2000h)		1	\$27.36	
25.6	12200203000007	Capacitor clip			1	\$0.60	
25.9	12220300000274	Base Plate of E-Parts Box			1	\$12.30	
25.1	17120300004110	Main control board subassembly			1		US1-KCD35P/DN1Z-IPB.JD.WS.NK.NK1.11
26	12220300A00131	Dialing Cover of E-Parts Box			1	\$1.80	
27	12220300000303	Cover of electronic control box			1	\$13.50	
28	12220300000513	Supporter subassembly of air passage			1	\$92.80	
29	12220300000449	Supporter of fan motor			1	\$13.50	
30	12820300000028	Condenser water tray			1	\$12.84	
32	12220300000537	Fixing board(right)			1	\$4.35	
33	12220300000560	Hook of Panel			2	\$1.35	
34	12220300003659	Chassis assembly			1		
35	15820300002651	Evaporator assembly			1		
36	17402006000013	Electric heater subassembly			1	\$299.76	
37	12622000000012	Bearing base			1	\$1.50	
38	12100102000055	Cross flow fan	GL-120*706-NX		1	\$183.30	

This information is to be used by qualified HVAC technicians only and is subject to revision without notice

PTAC09H352-KC - Parts List No. P6CK200801

Above prices are subject to S&H charges

DATE 20-08

PTAC09H352-KC - SPARE PARTS LIST

No.	Part Number	Part Name	Specifications	Stock No.	Qty.	Price	Remarks
39	12220300000557	Cover of Bearing bracket			1	\$1.80	
40	12220300000514	Wind baffle board			1	\$9.60	
41	11201007003427	Discharge Temperature Sensor			1	\$11.25	CGQ-WD/PQ3950-L500-XHBCP2BK-G480
41	11201007003124	Discharge Temperature Sensor			1	\$13.05	CGQ-WD/PQ3950-L1000-XHBCP2BK-G950
42	12920300000002	Condenser water tray			1	\$29.16	
45	11201007003424	Room temperature sensor			1	\$5.70	CGQ-WD/SW4100-L350-XHBCP2BL-P300-HT1.0
46	11201007003447	Pipe Temperature Sensor			1	\$6.45	CGQ-WD/GW4100-L350-XACP2-P250
47	12220300000540	Side plate			1	\$9.00	
49	11002012033915	Single phase asynchronous motor	YKT-21-6-15L		1		
50	17122000046853	Dial switch subassembly			1		
50.1	12220300000272	Cover of electronic control box			1	\$16.44	
50.2	17122000047469	Switchboard subassembly			1		

This information is to be used by qualified HVAC technicians only and is subject to revision without notice

PTAC09H352-KC - Parts List No. P6CK200801

Above prices are subject to S&H charges

DATE 20-08