

Specs - KTHN Series - Air Conditioner

Klimaite Model Number			KTHN009E3C211-BC	KTHN012E3C211-BC	KTHN015E5C210-BC
MPN			MWDUP-09EEN1-MK3	MWDUP-12EEN1-MJ5	MWDUP-15EEN1-MI5
Power Supply		Ph-V-Hz	230-208 / 1 / 60	230-208 / 1 / 60	230-208 / 1 / 60
Cooling	Capacity	Btu/h	9200/9000	12000/11800	14700/14500
	Input	W	814/796	1142/1124	1547/1526
	Current	A	3.54/3.83	4.97/5.4	6.73/7.34
	EER	Btu/h/W	11,3	10,5	9,5
Heating (PTC)	Capacity	Btu/h	10900/8900	10900/8900	10900/8900
	Input	W	3519/2850	3519/2850	4702/3794
	Current	A	15.30/13.70	15.3/13.7	15.30/13.70
Heater		kW	3.5	3.5	5.0
Starting Current		A	18	25,9	39
Indoor Fan Motor	FLA / Output	A / W	0.155 / 21	0.155 / 21	0.155 / 21
Outdoor Fan Motor	FLA / Output	A / W	0.35 / 37	0.41 / 58	0.41 / 58
Min. Circuit Ampacity	MCA	A	20	20	25
Compressor	Type	Type	Rotary	ROTARY	ROTARY
	Capacity	Btu/h	7745/7847.6	10714/10850	13648
	Input	W	770/785	1045/1050	1310
	Rated current (RLA)	A	3.75/3.5	5.0/4.55	6,35
	Locked rotor Amp (LRA)	A	18	25,9	34,5
	Capacitor	uF	25	35	35
Indoor Side Fan Motor	Input	W	35,5	35,5	35,5
	Capacitor	uF	1	1	1
	Speed (Hi/Mi/Lo)	rpm	1110/1070/1040	1110/1070/1040	1110/1070/1040
Outdoor Side Fan Motor	Input	W	69	87	87
	Capacitor	uF	3	3	3
	Speed (Hi)	rpm	1400	1590	1590
Evaporator	Number of rows	n	2	3	3
	Number of circuits	n	2	3	4
Indoor Side Air Flow (Hi/Mi/Lo)		cfm	435/418/394	435/424/412	424/406/394
Indoor Side Noise Level (Hi/Mi/Lo)		dB(A)	50/48/46	53/50/45	53/50/45
Condenser	Air flow	cfm	435/417/394	435/423/411	388/376/364
	Number of rows	n	2	3	3
	Number of circuits	n	2	3	3
Outdoor Side Noise Level (Hi)		dB(A)	63	66	66
Refrigerant Type	Type / Qty.	oz	R410A /21.2 oz	R410A / 26.9 oz	R410A /28.9 oz
Design Pressure		psig	540/300	540/300	540/300
Connection wiring		AWG	12AWGx3	12AWGx3	12AWGx3
Plug Type		Type	LCDI 6-20P	LCDI 6-20P	LCDI 6-30P
Control Type		Type	Electronic Control	Electronic Control	Electronic Control
Operation Temp	Indoor (Cooling/Heating)	°F	62°F-90°F / 32°F-80°F	62°F-90°F / 32°F-80°F	62°F-90°F / 32°F-80°F
	Outdoor (Cooling/Heating)	°F	64°F-109°F / 23°F-76°F	64°F-109°F / 23°F-76°F	64°F-109°F / 23°F-76°F
Application Area (Cooling EPA)		sq. ft	350-400	450-500	550-700
Dimension	(W*D*H)	in	42x21x16	42x21x16	42x21x16
Net/Gross weight		lb	104.7/130.1	117.9/143.3	117.9/143.3

Project Name:	Approval:
Location:	Date:
Engineer:	Construction:
Submitted to:	Unit #:
Submitted by:	Drawing #:
Reference:	

Sales Model No.	KTHN015E5C210-BC
Production Code No.	KMWDUP-15EEN1-MI5



PERFORMANCE DATA

Power supply	V/ph/Hz	208-230/1/60
--------------	---------	--------------

Cooling

Capacity	Btu/h	14700/14500
Input	W	1547/1526
Current	A	6.73/7.34
EER	Btu/W	9.5

Heating (Heat pump)

Capacity	Btu/h	N/A
Input	W	N/A
Current	A	N/A
COP	W/W	N/A

Heating (PTC)

	PTC	
Capacity	Btu/h	10900/8900
Input	W	3519/2850
Current	A	15.30/13.70
MINIMUM CIRCUIT AMPACITY	A	20

Compressor Electrical

Model	ASM135N1UEZ	
Type	ROTARY	
Brand	GMCC	
Capacity	Btu/h	13648
Input	W	1310
Rated current(RLA)	A	6.35
Locked rotor Amp(LRA)	A	34.5
Thermal protector	N/A	
Thermal protector position	N/A	
Capacitor	uF	35
Refrigerant oil/oil charge	ml	SUNISO 4GSD. 350
Connection wiring	12AWGx3	
Plug type	LCDI 6-20P	
Thermostat type		

SYSTEM DATA

Design pressure	psig	540/300
Refrigerant type	oz	R-410A/28.92 oz
Application area (Cooling EPA)	sq ft	550-700
Application area (Cooling Standard)	m ²	20-29

UNIT DIMENSION

Dimension(W*D*H) (without wall sleeve)	in	42x21x16
Packing (W*D*H)	in	45x25.4x18.7
Net/Gross weight	kg	53.5/65
	lb	117.9/143.3
Loading quantity 20' /40' /40'HQ	Pieces	72/144/180

INDOOR SIDE DATA

Indoor side fan motor		
Model	YDK20-6BS	
Brand	Welling	
Input	35.5	
FLA / OUTPUT	A / W	0.155 / 21
Capacitor	uF	1
Speed(Hi/Mi/Lo)	rpm	1110/1070/1040
Air flow & Noise level		
Indoor side air flow (Hi/Mi/Lo)	m3/h	660/640/620
Indoor side air flow (Hi/Mi/Lo)	cfm	388/376/364
Ventilation (fresh air intake)	cfm	65
Dehumidification	pint/h	4.3
Indoor side noise level (Hi/Mi/Lo)	dB(A)	53/50/45

OUTDOOR SIDE DATA

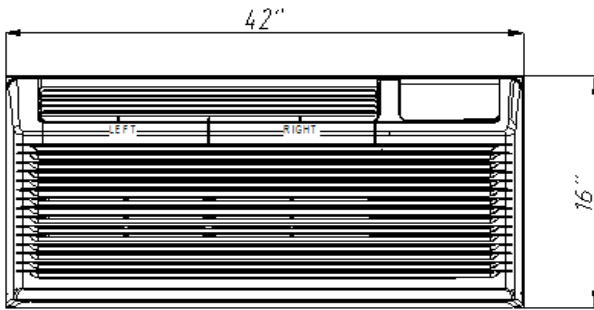
Outdoor side fan motor		
Model	YDK40-4B	
Brand	Welling	
Input	87	
FLA / OUTPUT	A / W	0.41 / 58
Capacitor	uF	3
Speed	rpm	1590
Air flow & Noise level		
Outdoor side noise level	dB(A)	66

Operation temperature

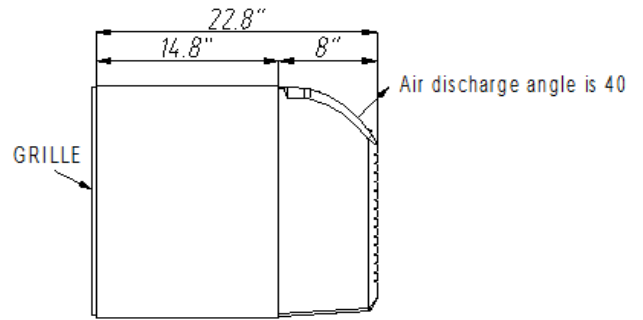
Indoor (cooling/ heating)	°C	17-32/0-27
	°F	62-90/32-80
Outdoor(cooling/heating)	°C	18-43/-5-24
	°F	64-109/23-76



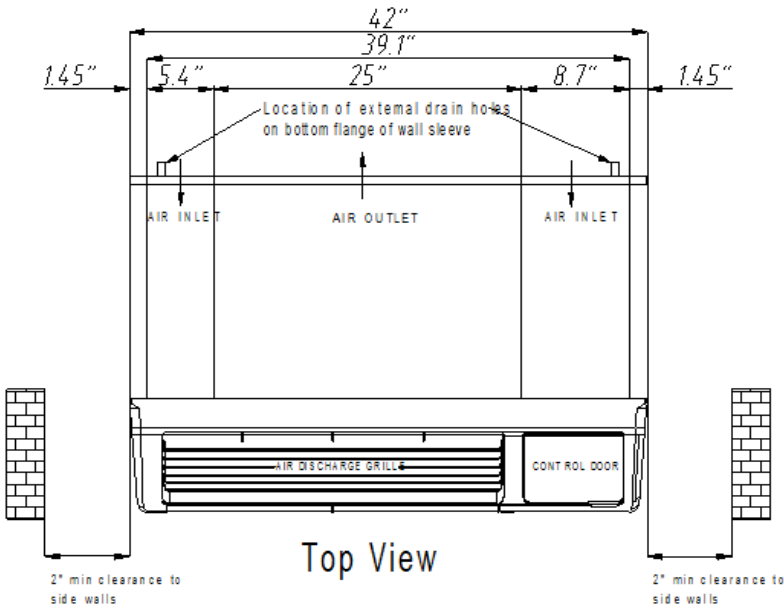
Packaged Terminal Air Conditioner (PTAC)
KTHN Series
208-230V



Front View



Side View



Top View