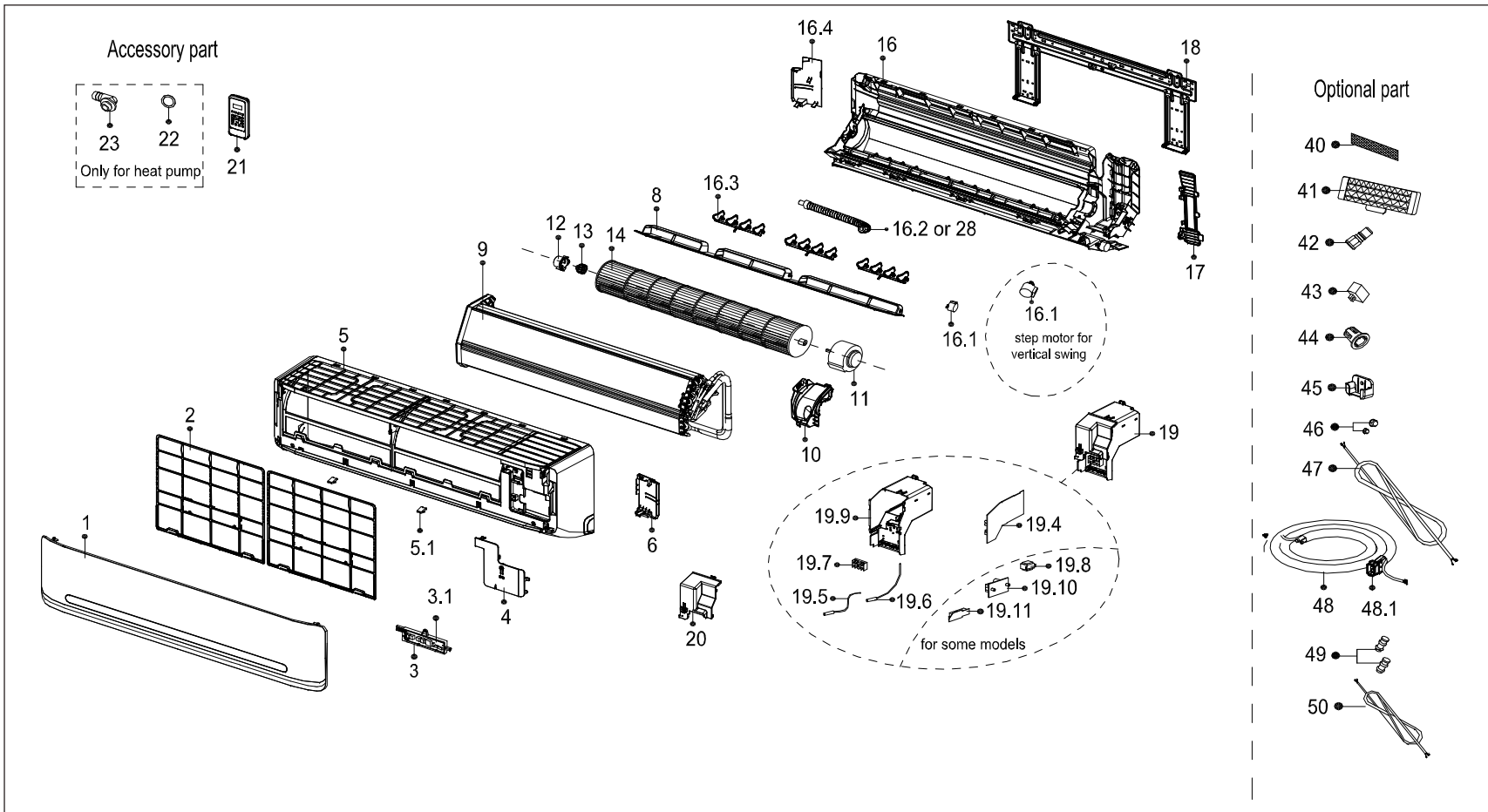


EXPLODED DIAGRAM - PARTS VIEW

Sales Model: KSIV024-H219-IW

Power Supply: 208-230V / 1ph / 60Hz



KSIV024-H219-IW - SPARE PARTS LIST

No.	Part Number	Part Name	Specifications	Stock No.	Qty.	Price	Remarks
1	12122000001602	Panel assembly			1	\$60.20	
2	12100204000461	Air filter			2	\$13.65	
3	17222000002837	Display box subassembly			1	\$28.92	
3.1	17122000006953	Display board subassembly			1	\$16.80	
4	12122000006733	Cover of electrical equipment			1	\$7.80	
5	12122000001956	Panel frame assembly			1	\$101.15	
5.1	12122000008242	Screw Cap			2	\$0.15	
6	12122000004608	Front cover of chassis(right)			1	\$5.25	
8	12122000006335	Horizontal louver			1	\$31.02	
9	15822000008721	Evaporator assembly			1	\$324.54	
10	12122000005512	Fan motor cover			1	\$12.15	
11	11002015008646	Brushless DC Motor	ZKFP-58-8-1-5		1	\$260.03	
12	12122000000350	Bearing holder			1	\$1.05	
13	12622000000006	Bearing base			1	\$2.10	
14	12100102000018	Cross flow fan	GL-108*818		1	\$65.10	
16	12122000011879	Chassis assembly			1	\$243.83	
16.1	11002010000049	Stepper motor	SM-30-17-12-14		1	\$27.36	
16.3	12122000000135	Horizontal louver			3	\$1.95	
16.4	12122000004614	Front cover of chassis			1	\$5.25	
17	12122000012942	pipe clamp board			1	\$3.45	
18	12222000003595	Installation Plate			1	\$42.24	
19	17222000028514	Electronic control box subassembly			1	\$180.08	
19.4	17122000045121	Main control board subassembly			1	\$137.62	
19.5	11201007003425	Room temperature sensor			1	\$7.35	

This information is to be used by qualified HVAC technicians only and is subject to revision without notice

KSIV024-H219-IW - Parts List No. P2IV1911

Above prices are subject to S&H charges

DATE 19-03

KSIV024-H219-IW - SPARE PARTS LIST

No.	Part Number	Part Name	Specifications	Stock No.	Qty.	Price	Remarks
19.6	11201007003445	Pipe Temperature Sensor			1	\$5.70	
19.7	17400401000006	Terminal			1	\$12.84	
19.9	12122000020327	Electronic control box			1	\$27.12	
20	12122000005024	Cover of electronic control box			1	\$7.35	
21	17317000A06740	Remote controller	RG57A6/BGEFU1		1	\$50.80	
22	12600701000039	seal ring			1	\$0.15	
23	12100509000061	Drain hose			1	\$1.05	
28	12100501000032	Drain hose			1	\$7.65	
40	12100204000685	Air freshening filter			1	\$1.80	
42	15500209000002	Detection valve			1	\$3.90	
46	15500406000003	Copper nut			1	\$12.12	
46	15500406000010	Copper nut			1	\$8.40	

This information is to be used by qualified HVAC technicians only and is subject to revision without notice

KSIV024-H219-IW - Parts List No. P2IV1911

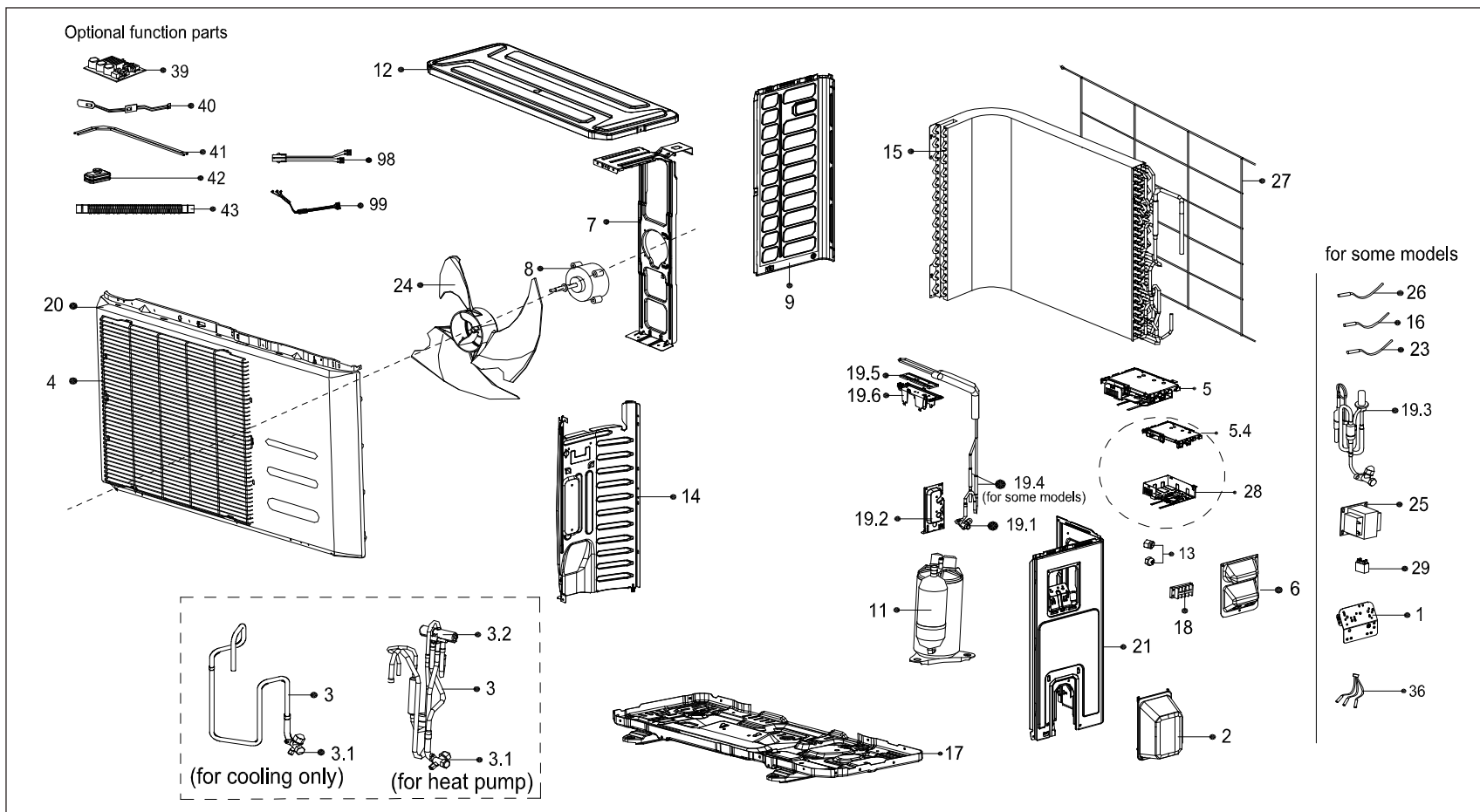
Above prices are subject to S&H charges

DATE 19-03

EXPLODED DIAGRAM - PARTS VIEW

Sales Model: KSIV024-H219-O

Power Supply: 208-230V / 1ph / 60Hz



This information is to be used by qualified HVAC technicians only and is subject to revision without notice

KSIV024-H219-O - Drawing No. D2IV1912

DATE 19-03

KSIV024-H219-O - SPARE PARTS LIST

No.	Part Number	Part Name	Specifications	Stock No.	Qty.	Price	Remarks
1	12222000005424	Support of electronic control box			1	\$2.55	
2	12122000007150	Water collector			1	\$12.90	
3	15422000016192	4-way valve assembly			1	\$236.85	
3.1	15500204000025	Gas valve			1	\$59.90	
3.2	15500216000026	4-way Valve			1	\$106.68	
4	12222000011145	Air outlet grille			1	\$59.40	
5	17222000028515	Electronic control box subassembly			1	\$369.67	
5.1	12100802000567	Bracket			1	\$7.35	
6	12222000010966	Big handle assembly			1	\$15.60	
7	12222000004884	Supporter subassembly of fan motor			1	\$49.17	
8	11002015008365	Brushless DC Motor	ZKFN-50-8-2-3		1	\$253.28	
9	12222000004831	Left side plate assembly of cabinet			1	\$44.33	
11	11103020004360	DC Inverter Rotary Compressor	KTM240D57UMT		1	\$545.66	
12	12222000004835	Top cover assembly			1	\$72.70	
13	15500406000003	Copper nut			1	\$12.12	
13	15500406000010	Copper nut			1	\$8.40	
14	12222000005423	Partition board assembly			1	\$31.13	
15	15822000008325	Condenser assembly			1	\$372.68	
17	12222000012165	Chassis assembly			1	\$112.03	
18	17400401000075	Terminal			1	\$13.32	
19	15422000015832	Liquid valve assembly			1	\$117.47	
19.1	15500208000286	Liquid valve			1	\$29.37	
19.2	12222000002571	Valve plate			1	\$8.85	
19.4	15500210001209	Throttle valve			1	\$17.28	

This information is to be used by qualified HVAC technicians only and is subject to revision without notice

KSIV024-H219-O - Parts List No. P2IV1912

Above prices are subject to S&H charges

DATE 19-03

KSIV024-H219-O - SPARE PARTS LIST

No.	Part Number	Part Name	Specifications	Stock No.	Qty.	Price	Remarks
19.4	15500210001228	Throttle valve			1	\$26.64	
19.5	11203803001176	Radiator			1	\$30.91	
19.6	12122000011478	U-Typed Support with Copper Pipe			1	\$14.25	
20	12222000006304	Front panel assembly			1	\$131.50	
21	12222000004830	Right side plate			1	\$73.30	
24	12100105000181	Axial flow fan	ZL-490*151*12-3KN		1	\$58.90	
27	12222000004833	Rear net			1	\$28.92	
28	12222200002695	Electronic installing box subassembly			1	\$15.96	
36	11201011000168	Combination Sensor			1	\$27.72	
40	17402001A00003	Crankcase electric heater			1	\$30.03	
41	17402002000043	Electric heating tube			1	\$107.87	
99	17401203000939	Compressor wire subassembly			1	\$27.96	

This information is to be used by qualified HVAC technicians only and is subject to revision without notice

KSIV024-H219-O - Parts List No. P2IV1912

Above prices are subject to S&H charges

DATE 19-03