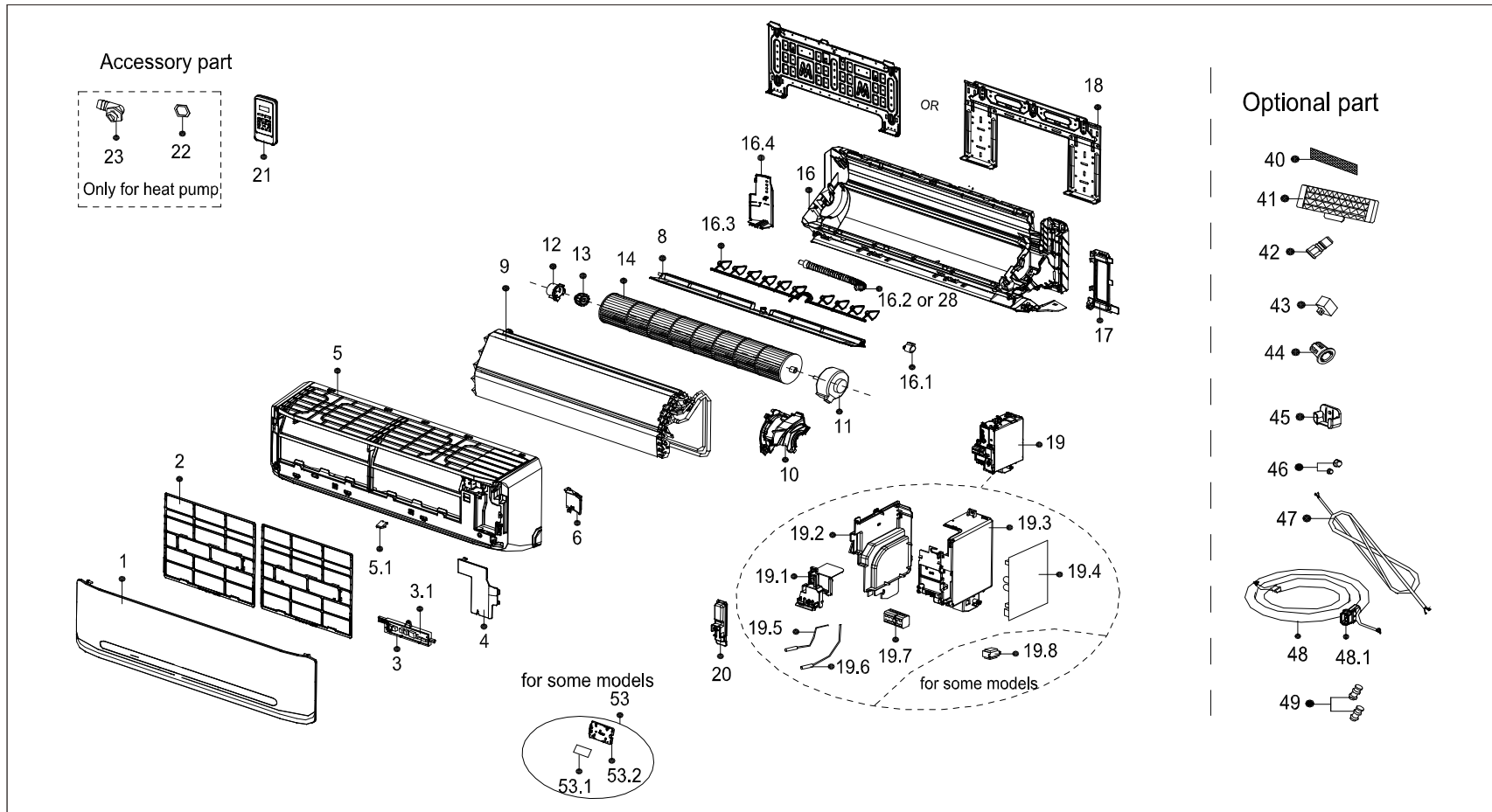


EXPLODED DIAGRAM - PARTS VIEW

Sales Model: KSIV012-H119-IW

Power Supply: 115V / 60Hz



KSIV012-H119-IW - SPARE PARTS LIST

No.	Part Number	Part Name	Specifications	Stock No.	Qty.	Price	Remarks
1	12122000001521	Panel assembly			1	\$53.90	
2	12100204000522	Filter filter subassembly			2	\$9.75	
3	17222000002878	Display box subassembly			1	\$28.44	
3.1	17122000006953	Display board subassembly			1	\$16.80	
4	12122000006755	Cover of electrical equipment			1	\$4.50	
5	12122000001726	Panel frame assembly			1	\$74.80	
5.1	12122000009477	Screw Cap			1	\$0.15	
6	12122000004587	Front cover of chassis(right)			1	\$1.80	
8	12122000005815	Horizontal louver assembly			1	\$15.60	
9	15822000008189	Evaporator assembly			1	\$248.46	
10	12122000005540	Fan motor cover			1	\$6.45	
11	11002015006201	Brushless DC Motor	ZKFP-20-8-113		1	\$166.73	
12	12122000000350	Bearing holder			1	\$1.05	
13	12622000000006	Bearing base			1	\$2.10	
14	12100102000044	Cross flow fan			1	\$45.32	
16	12122000011818	Chassis assembly			1	\$147.56	
16.1	11002010000143	Stepper motor			1	\$16.44	
16.3	12122000000038	Vertical vane subassembly			1	\$4.50	
16.4	12122000010098	Front cover of chassis(left)			1	\$3.15	
17	12122000012943	pipe clamp board			1	\$2.70	
18	12222000A00811	Installation plate			1	\$28.49	
19	17222000028159	Electronic control box subassembly			1	\$159.90	
19.1	12122000004577	Electronic control box			1	\$3.00	
19.2	12122000004639	Left cover of electronic control box			1	\$11.55	

This information is to be used by qualified HVAC technicians only and is subject to revision without notice

KSIV012-H119-IW - Parts List No. P2IV1905

Above prices are subject to S&H charges

DATE 19-03

KSIV012-H119-IW - SPARE PARTS LIST

No.	Part Number	Part Name	Specifications	Stock No.	Qty.	Price	Remarks
19.3	1212200004632	Right cover of electronic control box			1	\$14.88	
19.4	17122000044665	Main control board subassembly			1	\$125.12	
19.5	11201007000085	Room temperature sensor			1	\$7.05	
19.6	11201007000322	Pipe temperature sensor			1	\$7.20	
19.7	17400401000006	Terminal			1	\$12.84	
20	12122000005020	Cover of electronic control box			1	\$1.20	
21	17317000A06740	Remote controller	RG57A6/BGEFU1		1	\$50.80	
22	12600701000039	seal ring			1	\$0.15	
23	12100509000061	Drain hose			1	\$0.60	
28	12100501000032	Drain hose			1	\$7.65	
40	12100204000685	Air freshening filter			1	\$1.50	
42	15500209000001	Check valve			1	\$3.30	
46	15500406000012	Copper nut			1	\$10.95	
46	15500406000016	Copper nut			1	\$5.10	

This information is to be used by qualified HVAC technicians only and is subject to revision without notice

KSIV012-H119-IW - Parts List No. P2IV1905

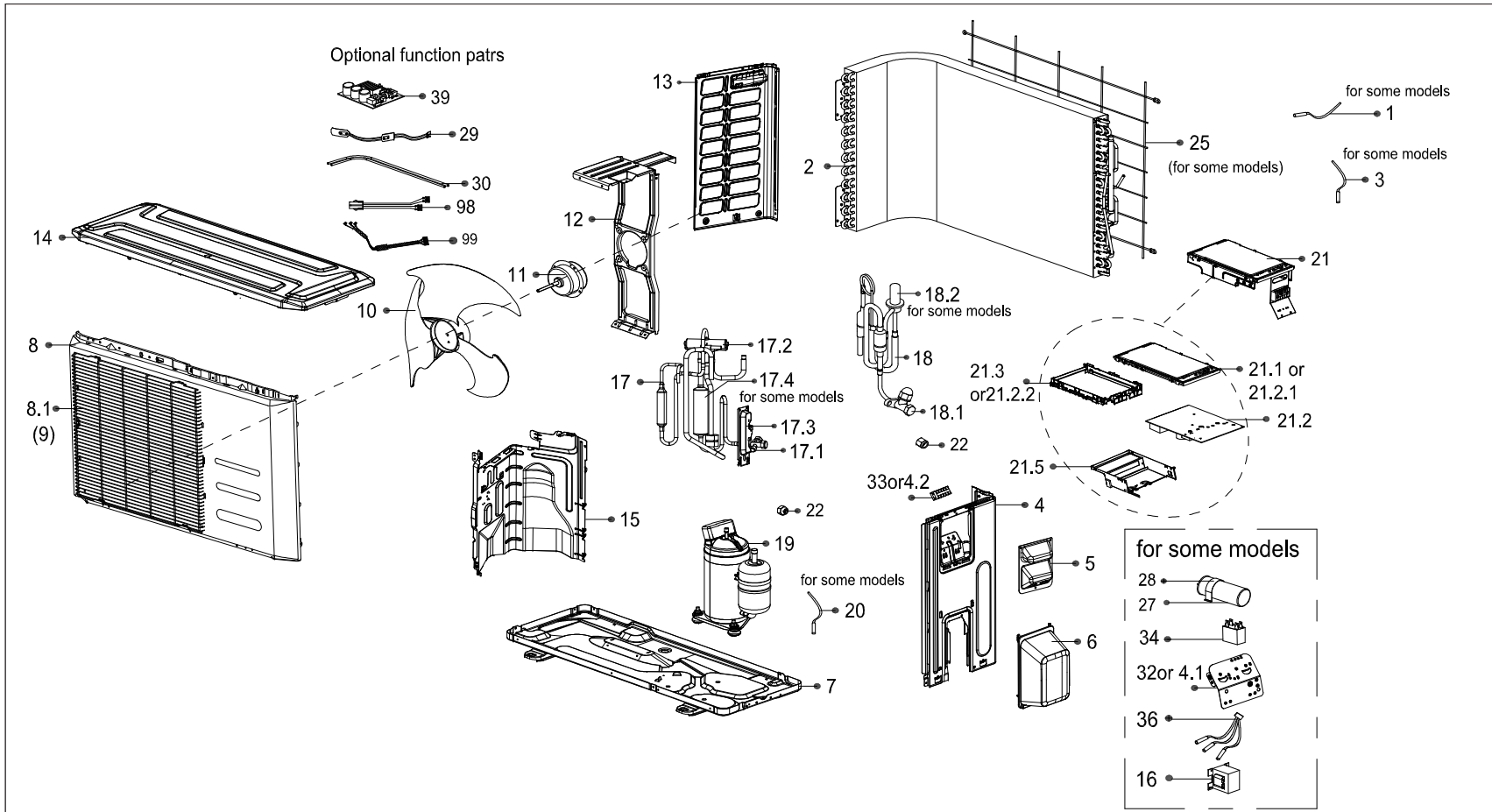
Above prices are subject to S&H charges

DATE 19-03

EXPLODED DIAGRAM - PARTS VIEW

Sales Model: KSIV012-H119-O

Power Supply: 115V / 60Hz



This information is to be used by qualified HVAC technicians only and is subject to revision without notice

KSIV012-H119-O - Drawing No. D2IV1906

DATE 19-03

KSIV0012H119-O - SPARE PARTS LIST

No.	Part Number	Part Name	Specifications	Stock No.	Qty.	Price	Remarks
2	15822000008251	Condenser assembly			1	\$326.58	
4	12222000005745	Right clapboard assembly			1	\$45.10	
5	12222000010966	Big handle assembly			1	\$15.60	
6	12122000007150	Water collector			1	\$12.90	
7	12222000005062	Chassis assembly			1	\$85.40	
8	12222000004463	Front panel assembly			1	\$114.58	
9	12222000007424	Air outlet grille			1	\$55.40	
10	12100105000003	Axial flow fan			1	\$31.46	
11	11002015008264	Brushless DC Motor	ZKFN-34-8-1-3		1	\$143.65	
12	12222000009444	Fan motor subassembly support			1	\$21.96	
13	12222000008484	Left side plate cabinet assembly			1	\$37.07	
14	12222000002451	Top cover assembly			1	\$59.40	
15	12222000003984	Partition board assembly			1	\$32.89	
16	17400306000019	Reactor			1	\$64.70	
17	15422000016315	4-way valve assembly			1	\$192.45	
17.1	15500204000058	Gas valve			1	\$44.22	
17.2	15500216000341	4-way valve			1	\$89.08	
17.3	12222000002571	Valve plate			1	\$8.85	
17.4	15122000024525	Muffler subassembly			1	\$42.02	
18	15422000004913	Liquid valve assembly			1	\$54.23	
18.1	15500208000028	Liquid valve			1	\$24.84	
19	11103020005082	DC Inverter rotary compressor			1	\$331.08	
21	17222000028157	Electronic control box subassembly			1	\$255.26	
21.2	17122000044661	Outdoor main control board subassembly			1	\$321.30	

This information is to be used by qualified HVAC technicians only and is subject to revision without notice

KSIV012-H119-O - Parts List No. P2IV1906

Above prices are subject to S&H charges

DATE 19-03

KSIV012-H119-O - SPARE PARTS LIST

No.	Part Number	Part Name	Specifications	Stock No.	Qty.	Price	Remarks
21.2.2	12122000006913	Electronic control box support			1	\$12.90	
21.5	12222000001311	Electronic box subassembly			1	\$17.76	
22	15500406000012	Copper nut			1	\$10.95	
22	15500406000016	Copper nut			1	\$5.10	
25	12222000003622	Rear net			1	\$29.52	
27	17400103000052	Compressor capacitor	45uF/250V		1	\$30.91	
28	12200203000007	Capacitor clip			1	\$0.45	
29	17402001000559	Crankcase electric heater			1	\$35.42	
30	17402002A00005	Electric heating tube			1	\$102.43	
32	12222000002259	Terminal board			1	\$1.35	
33	17400401000075	Terminal			1	\$13.32	
34	17400103000052	Compressor capacitor			1	\$30.91	
36	11201011000067	Combination Sensor			1	\$27.72	
99	17401203000802	Compressor wire subassembly			1	\$18.60	

This information is to be used by qualified HVAC technicians only and is subject to revision without notice

KSIV012-H119-O - Parts List No. P2IV1906

Above prices are subject to S&H charges

DATE 19-03