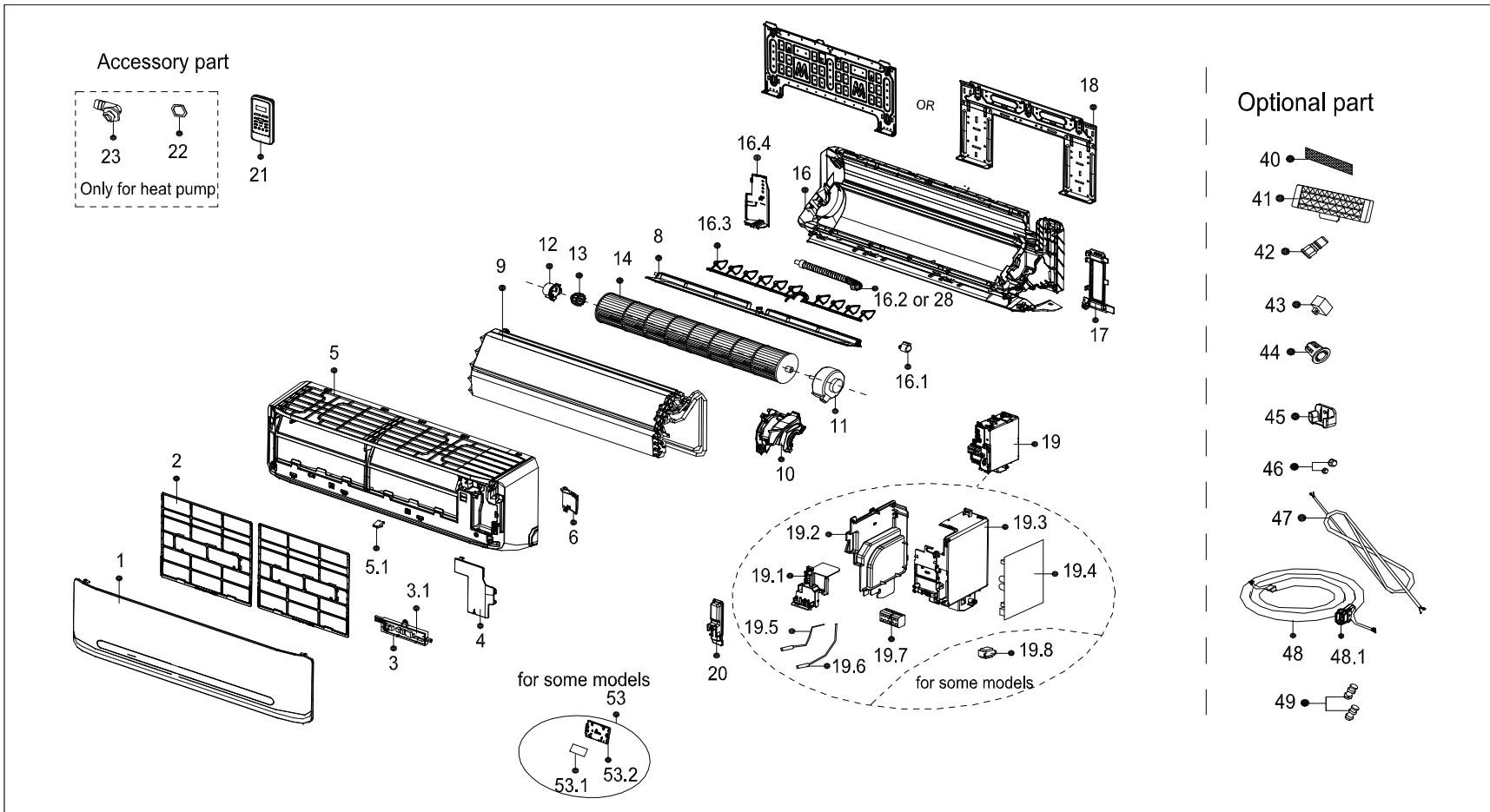


# EXPLODED DIAGRAM - PARTS VIEW

**Sales Model:** KSIV009-H119-IW

**Power Supply:** 115V / 60Hz



This information is to be used by qualified HVAC technicians only and is subject to revision without notice

KSIV009-H119-IW - Drawing No. D2IV1903

DATE 19-03

## KSIV009-H119-IW - SPARE PARTS LIST

No.	Part Number	Part Name	Specifications	Stock No.	Qty.	Price	Remarks
1	12122000001157	Panel assembly			1	\$46.20	
2	12100204000479	Air filter			2	\$9.15	
3	17222000002878	Display box subassembly			1	\$28.44	
3.1	17122000006953	Display board subassembly			1	\$16.80	
4	12122000006755	Cover of electrical equipment			1	\$4.50	
5	12122000001894	Panel frame assembly			1	\$66.70	
5.1	12122000008242	Screw Cap			1	\$0.15	
6	12122000004587	Front cover of chassis(right)			1	\$1.80	
8	12122000008055	Horizontal louver assembly			1	\$14.52	
9	15822000008693	Evaporator assembly			1	\$258.30	
10	12122000005540	Fan motor cover			1	\$8.40	
11	11002015006201	Brushless DC Motor	ZKFP-20-8-113		1	\$166.73	
12	12122000000350	Bearing holder			1	\$1.05	
13	12622000000006	Bearing base			1	\$2.10	
14	12100102000070	Cross flow fan			1	\$55.30	
16	12122000012359	Chassis assembly			1	\$121.64	
16.1	11002010000143	Stepper motor			1	\$16.44	
16.3	12122000000039	Vertical vane subassembly			1	\$3.90	
16.4	12122000010098	Front cover of chassis(left )			1	\$3.15	
17	12122000012943	Pipe clamp board			1	\$3.00	
18	12222000A00811	Installation plate			1	\$28.49	
19	17222000028235	Electronic control box subassembly (Mid-and low-end)			1	\$160.80	
19.1	12122000004577	Electronic control box			1	\$3.00	

This information is to be used by qualified HVAC technicians only and is subject to revision without notice

KSIV009-H119-IW - Parts List No. P2IV1903

Above prices are subject to S&H charges

DATE 19-03

## KSIV009-H119-IW - SPARE PARTS LIST

No.	Part Number	Part Name	Specifications	Stock No.	Qty.	Price	Remarks
19.2	12122000004639	Left cover of electronic control box			1	\$11.55	
19.3	12122000004632	Right cover of electronic control box			1	\$14.88	
19.4	17122000044765	Main control board subassembly			1	\$125.97	
19.5	11201007000085	Room temperature sensor			1	\$7.05	
19.6	11201007000322	Pipe temperature sensor			1	\$7.20	
19.7	17400401000006	Terminal			1	\$14.70	
20	12122000005020	Cover of electronic control box			1	\$1.20	
21	17317000A06740	Remote controller	RG57A6/BGEFU1		1	\$50.80	
22	12600701000039	Seal ring			1	\$0.15	
23	12100509000061	Drain hose			1	\$0.60	
28	12100501000032	Drain hose			1	\$7.65	
40	12100204000685	Air freshening filter			1	\$1.80	
42	15500209000001	Check valve			1	\$3.30	
46	15500406000010	Copper nut			1	\$8.40	
46	15500406000016	Copper nut			1	\$5.10	

This information is to be used by qualified HVAC technicians only and is subject to revision without notice

KSIV009-H119-IW - Parts List No. P2IV1903

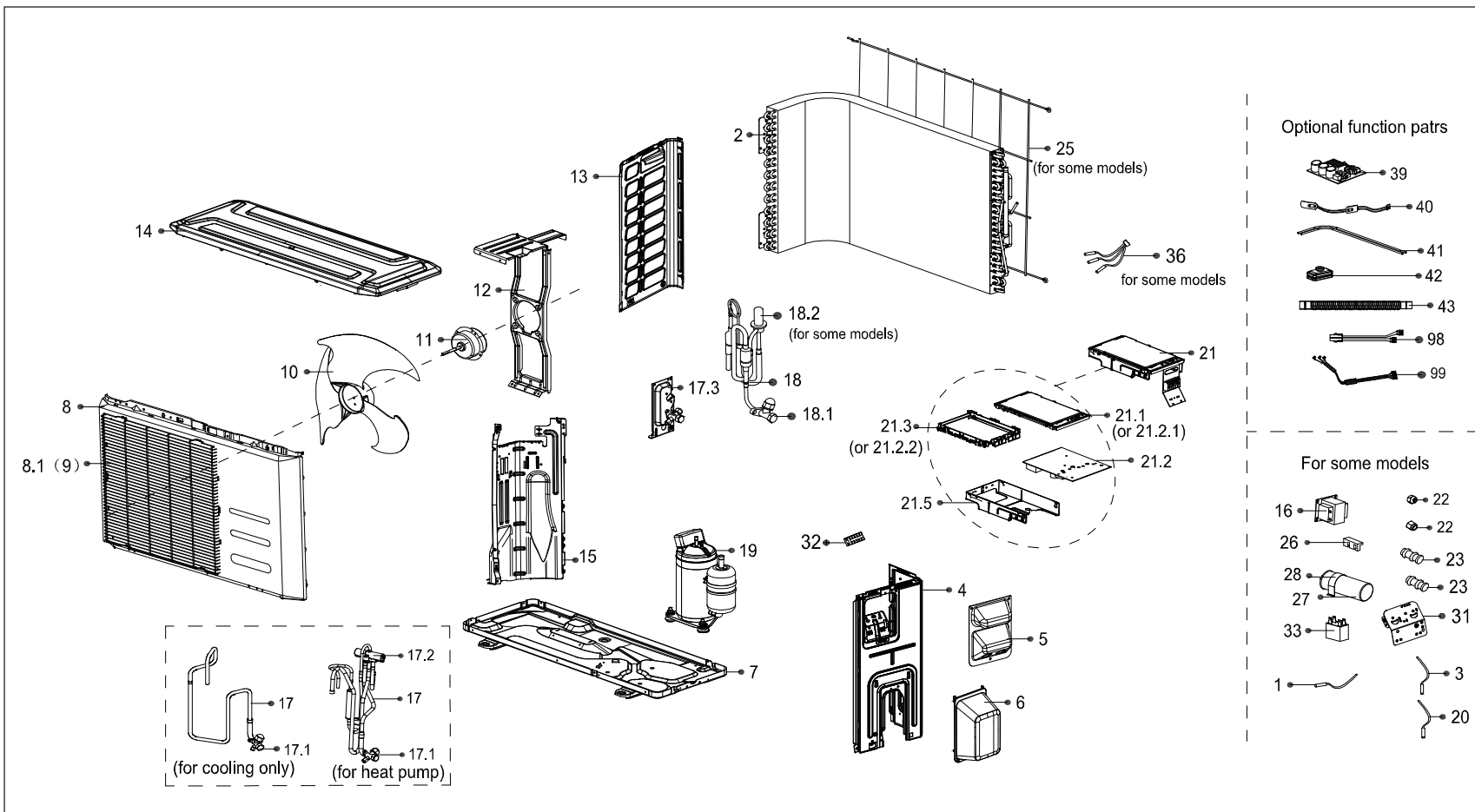
Above prices are subject to S&H charges

DATE 19-03

# EXPLODED DIAGRAM - PARTS VIEW

**Sales Model:** KSIV009-H119-O

**Power Supply:** 115V / 60Hz



This information is to be used by qualified HVAC technicians only and is subject to revision without notice

KSIV009-H119-O - Drawing No. D2IV1904

DATE 19-03

## KSIV009-H119-O - SPARE PARTS LIST

No.	Part Number	Part Name	Specifications	Stock No.	Qty.	Price	Remarks
2	15822000008140	Condenser assembly			1	\$288.00	
4	12222000006249	Right clapboard assembly			1	\$38.17	
5	12222000010966	Big handle assembly			1	\$15.60	
6	12122000007150	Water collector			1	\$12.90	
7	12222000006485	Chassis Assembly			1	\$55.90	
8	12222000004842	Front panel assembly			1	\$111.18	
9	12222000007424	Air outlet grille			1	\$55.40	
10	12100105000057	Axial flow fan	ZL-425*127*8-3KN		1	\$39.38	
11	11002015008264	Brushless DC Motor	ZKFN-34-8-1-3		1	\$143.65	
12	12222000008924	Supporter subassembly of fan motor			1	\$27.96	
13	12222000006244	Left supporter			1	\$35.42	
14	12222000006246	Top cover assembly			1	\$52.47	
15	12222000004425	Partition board			1	\$27.60	
16	17400306000019	Reactor	R1803B(AL)(BP)		1	\$64.70	
17	15422000015932	4-way Valve Assembly			1	\$192.75	
17.1	15500204000021	Gas valve			1	\$36.63	
17.2	15500216000341	4-way valve			1	\$89.08	
17.3	12222000002571	Valve plate			1	\$8.85	
18	15422000004812	Liquid valve assembly			1	\$43.89	
18.1	15500208000028	Liquid valve			1	\$24.84	
19	11103020005082	DC Inverter rotary compressor			1	\$331.08	
21	17222000028236	Electronic control box subassembly			1	\$256.11	
21.2	17122000044766	Outdoor main control board subassembly			1	\$322.32	
21.2.1	12222000001455	Cover of electronic control box			1	\$11.70	

This information is to be used by qualified HVAC technicians only and is subject to revision without notice

KSIV009-H119-O - Parts List No. P2IV1904

Above prices are subject to S&H charges

DATE 19-03

## KSIV009-H119-O - SPARE PARTS LIST

No.	Part Number	Part Name	Specifications	Stock No.	Qty.	Price	Remarks
21.2.2	12122000006913	Support of electronic control box			1	\$12.90	
21.5	12222000001311	Electronic installing box subassembly			1	\$17.76	
22	15500406000010	Copper nut			1	\$8.40	
22	15500406000016	Copper nut			1	\$5.10	
25	12222000003986	Rear net			1	\$28.08	
27	17400103000052	Capacitor of compressor	45uF/250V		1	\$30.91	
28	12200203000007	Capacitor clip			1	\$0.15	
31	12222000002259	Terminal board			1	\$1.35	
32	17400401000075	Terminal			1	\$13.32	
36	11201011000067	Combination Sensor			1	\$27.72	
40	17402001000559	Crankcase electric heater			1	\$35.42	
41	17402002A00005	Electric heating tube			1	\$98.26	
99	17401203000802	Compressor wire subassembly			1	\$18.60	

This information is to be used by qualified HVAC technicians only and is subject to revision without notice

KSIV009-H119-O - Parts List No. P2IV1904

Above prices are subject to S&H charges

DATE 19-03