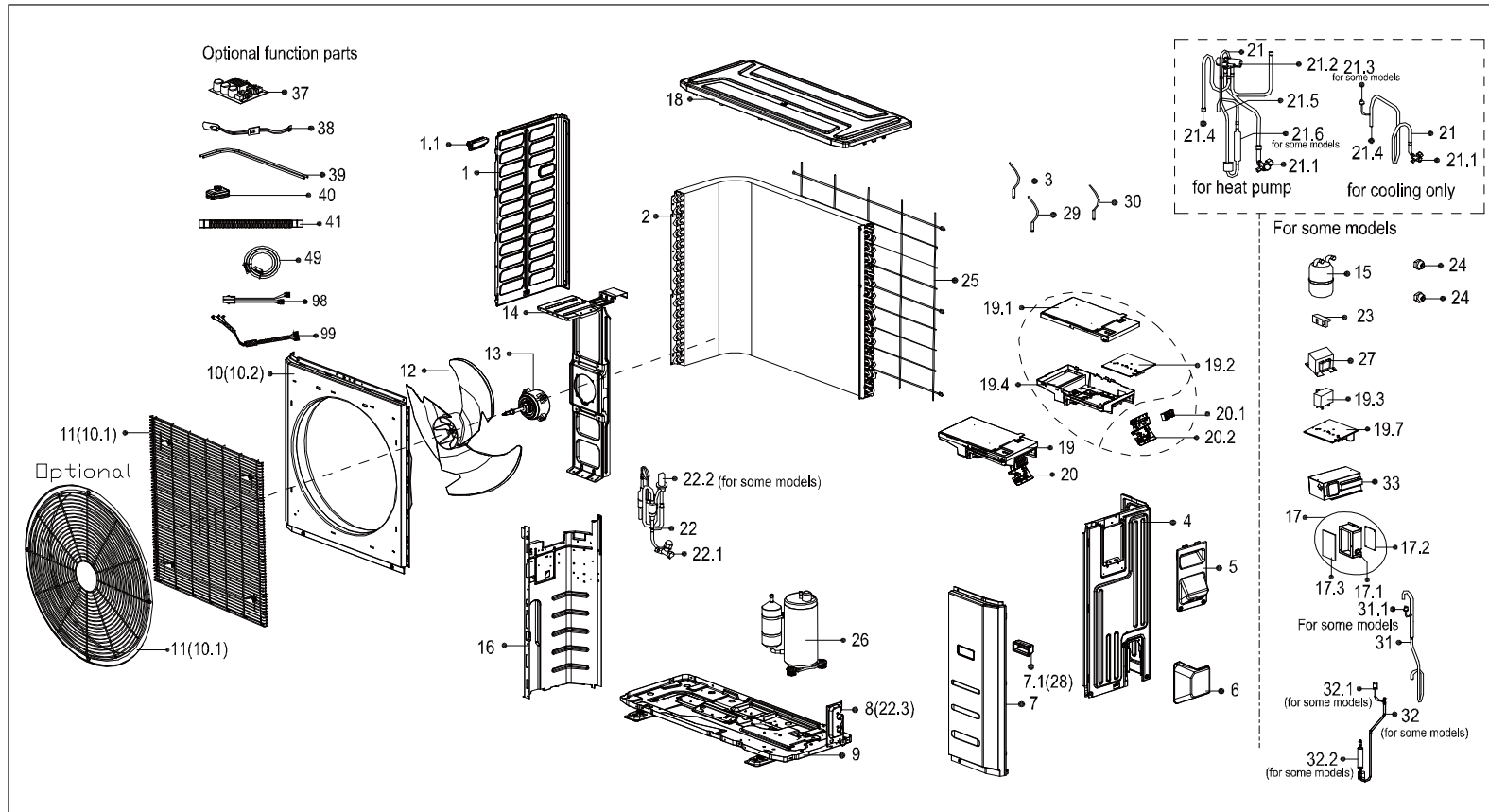


EXPLODED DIAGRAM - PARTS VIEW

Sales Model: KSIR030-H215-O

Power Supply: 208-230V / 1ph / 60Hz



This information is to be used by qualified HVAC technicians only and is subject to revision without notice

KSIR030-H215-O - Drawing No. P21R2207

DATE 22-06

KSIR030-H215-O - SPARE PARTS LIST

| No. | Part Number | Description | Specifications | Stock No. | Qty. | Price | Remarks |
|------|----------------|--|----------------|-----------|------|----------|-------------------|
| 1 | 12222000006665 | Left side plate assembly of cabinet | | | 1 | \$58.10 | |
| 1.1 | 12100701000033 | Small handle | | | 1 | \$1.35 | |
| 2 | 15822000008591 | Condenser Assembly | | | 1 | \$625.32 | |
| 3 | 11201007000136 | Pipe temperature sensor | | | 1 | \$5.40 | |
| 4 | 12222000006664 | Rear right clapboard assembly | | | 1 | \$95.80 | |
| 5 | 12222000011086 | Big handle assembly | | | 1 | \$14.64 | |
| 6 | 12122200002695 | Water collector | | | 1 | \$9.30 | |
| 7 | 12222500A00135 | Front right clapboard assembly | | | 1 | \$70.30 | |
| 7.1 | 12100702000038 | handle | | | 1 | \$1.50 | |
| 9 | 12222000004018 | Chassis assembly | | | 1 | \$125.21 | |
| 10 | 12222000A01431 | Front panel | | | 1 | \$137.36 | |
| 11 | 12222000014845 | Air outlet grille | | | 1 | \$63.40 | |
| 12 | 12100105000084 | Axial flow fan | | | 1 | \$60.10 | ZL-560*139*12-3KN |
| 13 | 11002015000247 | Brushless DC Motor | | | 1 | \$200.48 | ZKFN-120-8-2 |
| 14 | 12222000005162 | Supporter subassembly of fan motor | | | 1 | \$76.60 | |
| 16 | 12222200001158 | Partition board assembly | | | 1 | \$48.51 | |
| 18 | 12222500000587 | Top cover assembly | | | 1 | \$96.20 | |
| 19 | 17222000034224 | Electronic control box subassembly | | | 1 | #VALUE! | |
| 19.1 | 12122200002719 | Electronic installing box subassembly | | | 1 | \$56.20 | |
| 19.2 | 17122000051926 | Outdoor main control board subassembly | | | 1 | \$205.95 | |
| 19.4 | 12122200002715 | Electronic installing box subassembly | | | 1 | \$40.04 | |
| 19.7 | 17122000039750 | Inverter module subassembly | | | 1 | \$516.23 | |
| 20 | 17222000036684 | Terminal board subassembly | | | 1 | \$53.79 | |

This information is to be used by qualified HVAC technicians only and is subject to revision without notice

KSIR030-H215-O - Parts List No. P21R2207

Above prices are subject to S&H charges

DATE 21-06

KSIR030-H215-O - SPARE PARTS LIST

| No. | Part Number | Description | Specifications | Stock No. | Qty. | Price | Remarks |
|------|----------------|---------------------------------|----------------|-----------|------|----------|-----------------|
| 20.1 | 17400401000068 | Terminal | | | 1 | \$15.24 | |
| 20.2 | 12222200001476 | Terminal board | | | 1 | \$7.65 | |
| 21 | 15422000004892 | 4-way valve assembly | | | 1 | \$225.75 | |
| 21.1 | 15500204000025 | Gas valve | | | 1 | \$57.20 | DYF-C15N1 |
| 21.2 | 15500216000361 | 4-way valve | | | 1 | \$101.15 | STF-02BN1 |
| 21.4 | 15122000010254 | Suction pipe | | | 1 | \$38.17 | |
| 21.5 | 15122000010256 | Discharge pipe | | | 1 | \$29.52 | |
| 21.6 | 15500506000007 | Muffler | | | 1 | \$39.16 | |
| 22 | 15422000012293 | Liquid valve assembly | | | 1 | \$154.73 | |
| 22.1 | 15500204000021 | Gas valve | | | 1 | \$34.21 | DYF-A28N |
| 22.2 | 15500213000265 | Electronic expansion valve body | | | 1 | \$141.02 | |
| 22.3 | 12222000015185 | Valve plate | | | 1 | \$12.30 | |
| 24 | 15500406000003 | Copper nut | | | 1 | \$13.68 | TLM-D04 |
| 24 | 15500406000010 | Copper nut | | | 1 | \$9.75 | TLM-B02 |
| 25 | 12222000006604 | Rear net | | | 1 | \$30.36 | |
| 26 | 11103020000559 | DC Inverter Rotary Compressor | | | 1 | \$495.34 | KTF250D22UMT |
| 27 | 11201101000017 | PFC inductor | | | 1 | \$119.00 | |
| 29 | 11201007000157 | Discharge Temperature Sensor | | | 1 | \$9.30 | |
| 30 | 11201007000039 | Room temperature sensor | | | 1 | \$3.90 | |
| 38 | 17402001000601 | Crankcase electric heater | | | 1 | \$27.00 | |
| 39 | 17402002000466 | Electric heating tube | | | 1 | \$90.70 | |
| 41 | 12100509000059 | Drain pipe | | | 1 | \$4.65 | PJX1.3-1(L2000) |
| 99 | 17401203000939 | Compressor wire subassembly | | | 1 | \$26.52 | |

This information is to be used by qualified HVAC technicians only and is subject to revision without notice

KSIR030-H215-O - Parts List No. P21R2207

Above prices are subject to S&H charges

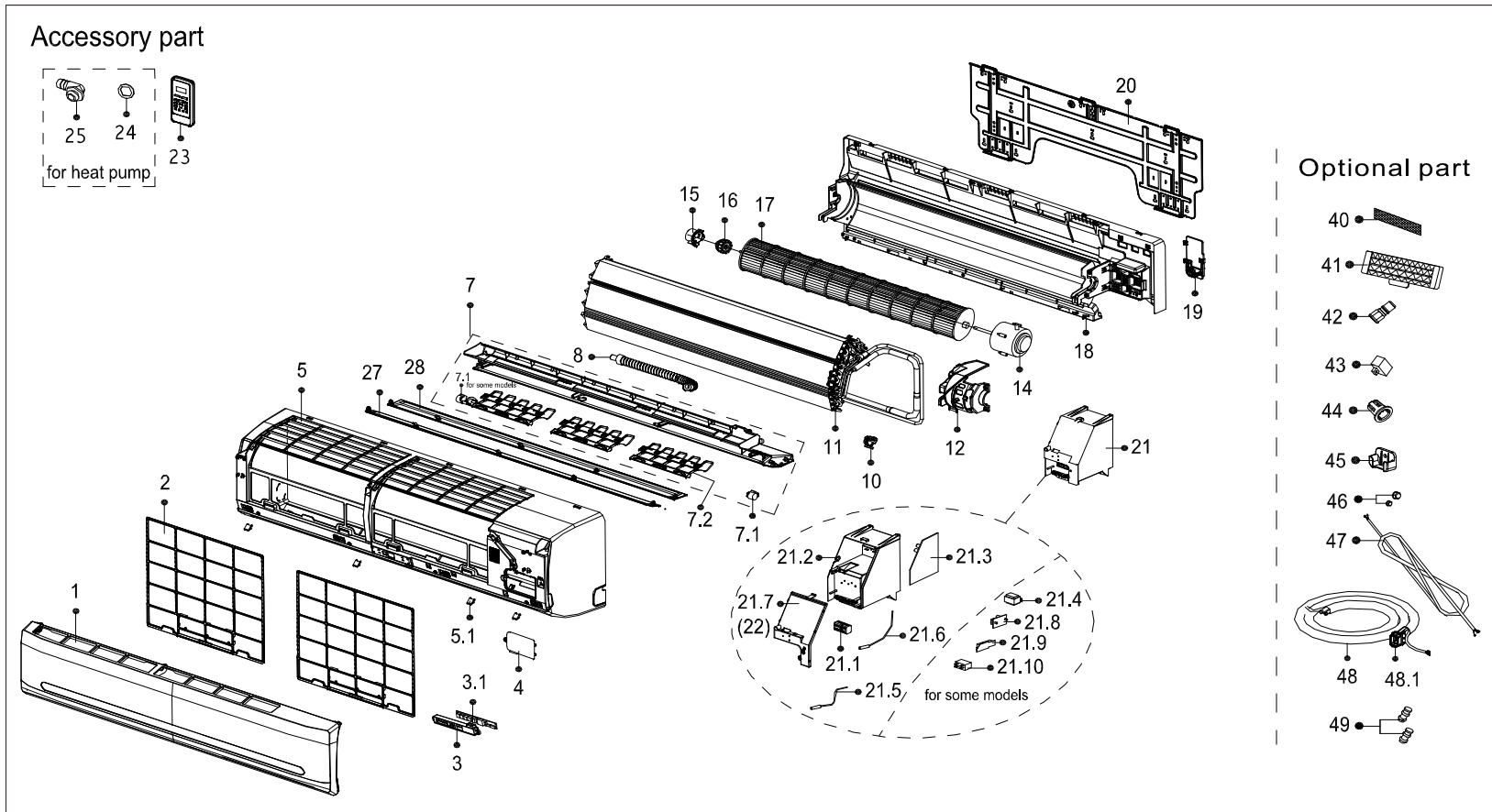
DATE 21-06

EXPLODED DIAGRAM - PARTS VIEW

Sales Model: KSIR030-H215-IW

Power Supply: 208-230V / 1ph / 60Hz

Export Time: 2022-06-14 15:51:30



This information is to be used by qualified HVAC technicians only and is subject to revision without notice

KSIR030-H215-IW - Drawing No. P21R2206

DATE 21-06

KSIR030-H215-IW - SPARE PARTS LIST

| No. | Part Number | Description | Specifications | Stock No. | Qty. | Price | Remarks |
|------|-----------------|------------------------------------|----------------|-----------------|------|----------|------------------|
| 1 | 12122000A73167 | Panel assembly | | 12122000A73167 | 1 | \$115.52 | |
| 2 | 12122000025962 | Air filter | | 12122000025962 | 2 | \$8.85 | |
| 3 | 17222000A01170 | Display box subassembly | | 17222000A01170 | 1 | \$20.88 | |
| 3 | 17222000A17250 | Display box subassembly | | 17222000A17250 | 1 | \$34.21 | |
| 3.1 | 17122000A07845 | Display board subassembly | | 17122000A07845 | 1 | \$25.08 | |
| 4 | 12122000006694 | Cover of electrical equipment | | 12122000006694 | 1 | \$3.90 | |
| 5 | 12122000001931 | Panel frame assembly | | 12122000001931 | 1 | \$129.63 | |
| 5.1 | 12122000006272 | Screw Cap | | 12122000006272 | 4 | \$0.15 | |
| 7 | 12122000028165 | Air outlet assembly | | 12122000028165 | 1 | \$91.97 | |
| 7.1 | 11002010001666 | Stepper motor | | 11002010001666 | 1 | \$38.50 | SM-24-19-16-31-1 |
| 7.2 | 12122000000148 | Horizontal louver | | 12122000000148 | 3 | \$1.95 | |
| 8 | 12100501000021 | Drain hose | | 12100501000021 | 1 | \$5.25 | |
| 10 | 12122000024323 | Fixed clamp of temperature sensor | | 12122000024323 | 1 | \$0.45 | |
| 11 | 15822000A17401 | Evaporator assembly | | 15822000A17401 | 1 | \$444.71 | |
| 12 | 12122000005475 | Fan motor cover | | 12122000005475 | 1 | \$14.40 | |
| 14 | 11002015008646 | Brushless DC Motor | | 11002015008646 | 1 | \$189.83 | ZKFP-58-8-1-5 |
| 15 | 12122000000350 | Bearing holder | | 12122000000350 | 1 | \$1.05 | |
| 16 | 12622000000131 | Bearing components | | 12622000000131 | 1 | \$2.70 | |
| 17 | 12100102000084 | Cross flow fan | | 12100102000084 | 1 | \$69.20 | GL-118*955-I |
| 18 | 12122000003909 | Chassis Assembly | | 12122000003909 | 1 | \$144.25 | |
| 19 | 12122000000460 | pipe clamp board | | 12122000000460 | 1 | \$3.45 | |
| 20 | 12222000000029 | Installation plate | | 12222000000029 | 1 | \$62.10 | |
| 21 | 172220000009475 | Electronic control box subassembly | | 172220000009475 | 1 | \$164.33 | |
| 21.1 | 17400401000006 | Terminal | | 17400401000006 | 1 | \$13.50 | |

This information is to be used by qualified HVAC technicians only and is subject to revision without notice

KSIR030-H215-IW - Parts List No. P21R2206

Above prices are subject to S&H charges

DATE 21-06

KSIR030-H215-IW - SPARE PARTS LIST

| No. | Part Number | Description | Specifications | Stock No. | Qty. | Price | Remarks |
|------|----------------|-----------------------------------|----------------|----------------|------|----------|-----------|
| 21.2 | 1212200004617 | Electronic control box | | 1212200004617 | 1 | \$31.46 | |
| 21.3 | 17122000018860 | Main control board subassembly | | 17122000018860 | 1 | \$124.95 | |
| 21.5 | 11201007003424 | Room temperature sensor | | 11201007003424 | 1 | \$4.65 | |
| 21.6 | 11201007000094 | Pipe Temperature Sensor | | 11201007000094 | 1 | \$6.60 | |
| 21.7 | 12122000005040 | Cover of electronic control box | | 12122000005040 | 1 | \$9.75 | |
| 23 | 17317000A57228 | Remote controller | | 17317000A57228 | 1 | \$30.03 | RG51F/EU1 |
| 24 | 12600701000039 | seal ring | | 12600701000039 | 1 | \$0.15 | |
| 25 | 12100509000061 | Drain hose | | 12100509000061 | 1 | \$0.45 | |
| 27 | 12122000006106 | Horizontal louver | | 12122000006106 | 1 | \$20.28 | |
| 28 | 12122000008092 | Horizontal louver | | 12122000008092 | 1 | \$15.72 | |
| 40 | 12100204000685 | air fresh filter | | 12100204000685 | 2 | \$1.05 | |
| 42 | 15500209000002 | Detection valve | | 15500209000002 | 1 | \$3.00 | |
| 45 | 12122000027147 | Bracket of remote Controller | | 12122000027147 | 1 | \$3.90 | |
| 46 | 15500406000003 | Copper nut | | 15500406000003 | 1 | \$13.68 | TLM-D04 |
| 46 | 15500406000010 | Copper nut | | 15500406000010 | 1 | \$9.75 | TLM-B02 |
| 47 | 17401203000043 | Indoor and Outdoor Junction Cable | | 17401203000043 | 1 | \$93.16 | |

This information is to be used by qualified HVAC technicians only and is subject to revision without notice

KSIR030-H215-IW - Parts List No. P21R2206

Above prices are subject to S&H charges

DATE 21-06