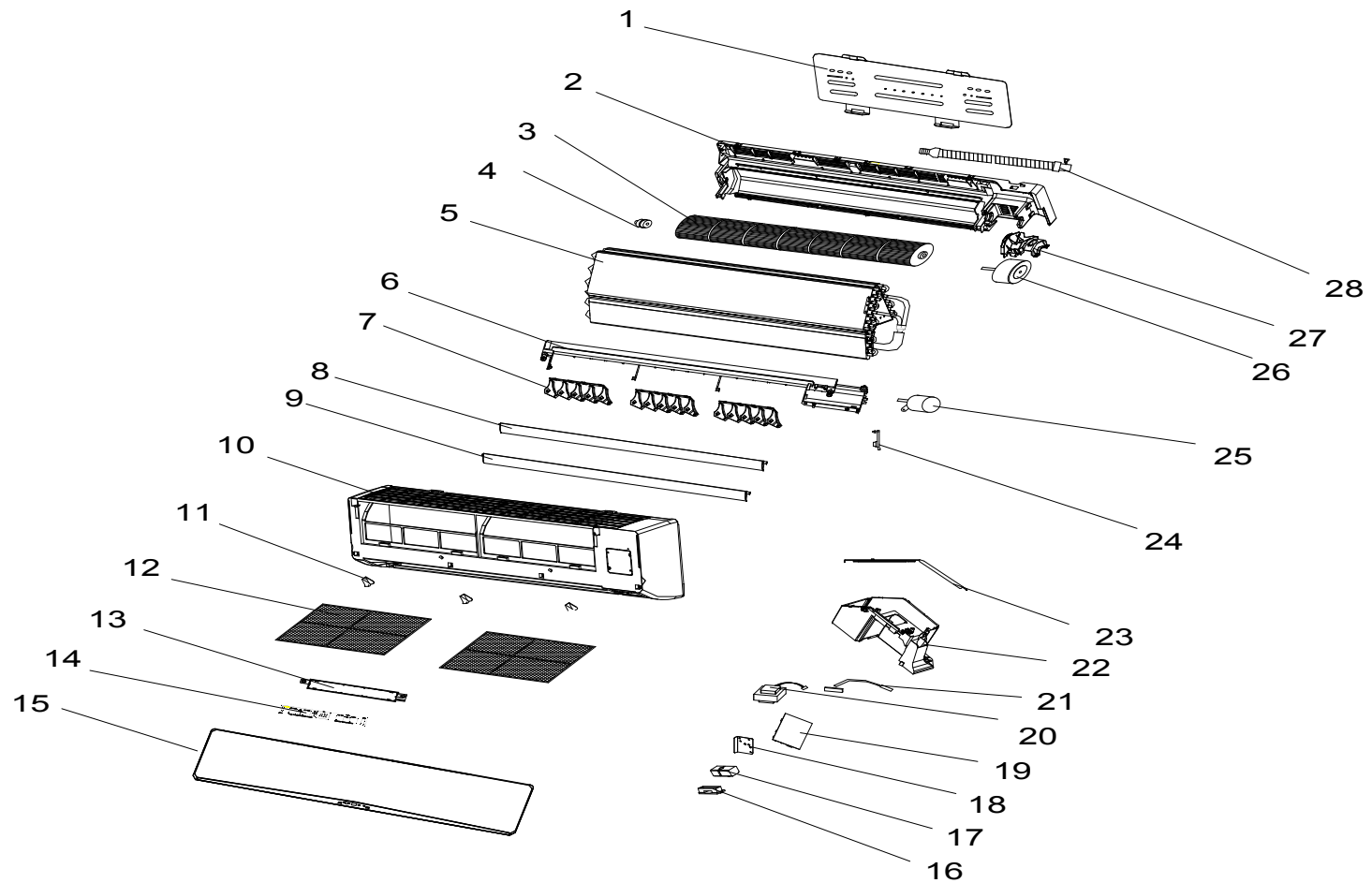


EXPLODED DIAGRAM - PARTS VIEW

Sales Model : **KIWQ36H2-3T**

Power Supply : 208-230V / 1ph / 60Hz



This information is to be used by qualified HVAC technicians only and is subject to revision without notice

KIWQ36-H2-3T - Drawing No. D5WQ200807

DATE: 20-08

KIWQ36H2-3T - SPARE PARTS LIST

No.	Part Number	Part Name	Specifications	Stock No.	Qty.	Price	Remarks
1	41109-000028	Installation Plate			1	\$38.28	
2	41199-002746	Base			1	\$149.63	
3	42004-000042	Cross Fan			1	\$87.52	
4	42007-000001	Bearing Mount			1	\$4.68	
5	92011-005222	Evaporator			1	\$364.75	
6	41102-000260	Water Drainage Assembly			1	\$62.52	
7	41101-000035	Vertical Vane Assembly			3	\$2.16	
8	41103-000317	UpVane			1	\$25.34	
9	41103-000312	Down Vane			1	\$23.62	
10	41106-002275	Face Frame			1	\$150.14	
11	41108-000066	Screw Cover			4	\$0.54	
12	42008-000053	Air Filter			2	\$22.18	
13	42003-000016	Display PCB Box			1	\$3.78	
14	31102-000109	Display PCB			1	\$41.05	
15	41106-001877	Front Panel			1	\$98.52	
16	42001-000103	Cable Clamp			1	\$0.90	
17	11304-100063	Terminal			1	\$12.38	
18	/	Terminal fixing board			1		
19	31101-000267	Main PCB			1	\$130.36	
20	/	Transformer			1		
21	10104-100022	Indoor Sensor Assembly			1	\$10.62	
22	41105-000139	Electrical Box			1	\$44.75	
23	41105-000176	Electrical Box Cover			1	\$12.06	
24	41101-000214	Right Vertical Vane connector			6	\$3.78	
25	22001-000357	Vane Motor			1	\$42.77	

This information is to be used by qualified HVAC technicians only and is subject to revision without notice

KIWQ36H2-3T- Parts List No. PWQ200807

Above prices are subject to S&H charges

DATE 20-08

KIWQ36H2-3T - SPARE PARTS LIST

No.	Part Number	Part Name	Specifications	Stock No.	Qty.	Price	Remarks
25	22001-000362	Vane Motor 400mm			1	\$22.32	
26	22001-000240	Indoor Motor			1	\$164.79	
27	41108-000006	Indoor Motor Cover			1	\$15.12	
28	42009-000004	Drainage Hose			1	\$16.42	
29	22013-002294	Remote Controller			1	\$45.28	Not shown in exploded view
30	A1101-009222	Indoor Carton			1	\$53.04	
31	A2004-000273	Left Foaming			1	\$27.98	
32	A2004-000322	Right Foaming			1	\$30.76	

This information is to be used by qualified HVAC technicians only and is subject to revision without notice

KIWQ36H2-3T- Parts List No. PWQ200807

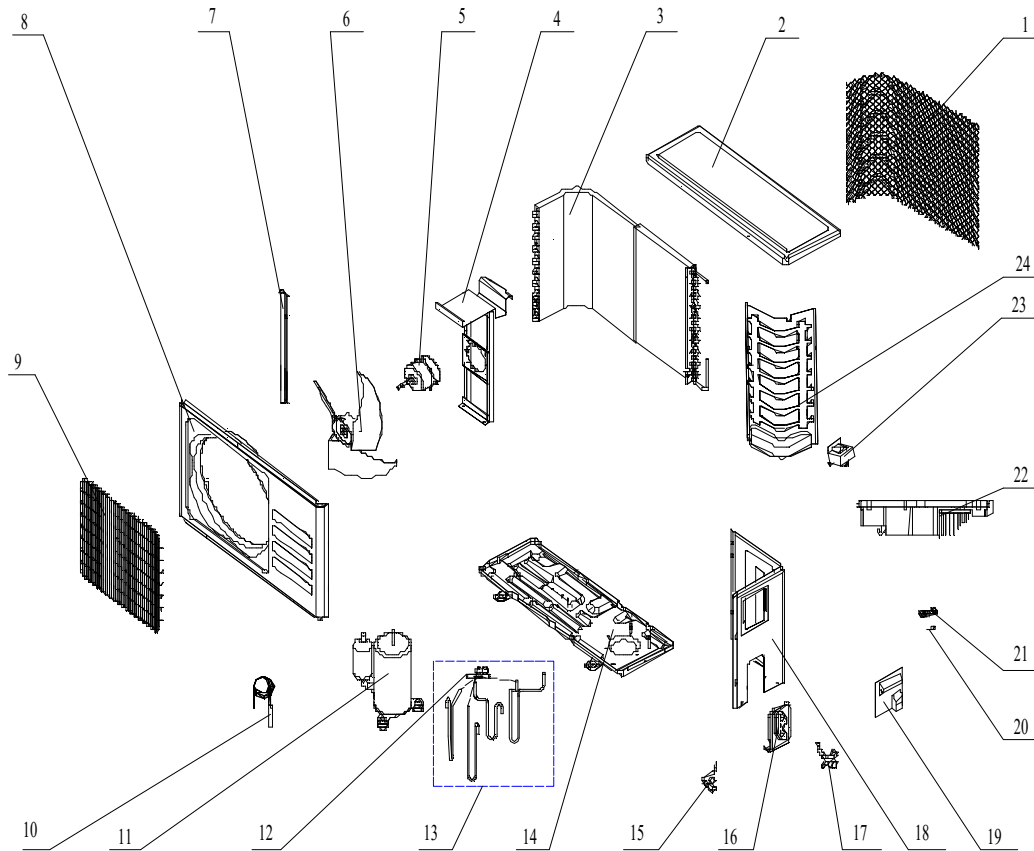
Above prices are subject to S&H charges

DATE 20-08

EXPLODED DIAGRAM - PARTS VIEW

Sales Model : **KOIQ36H2-3**

Power Supply : 208-230V / 1ph / 60Hz



This information is to be used by qualified HVAC technicians only and is subject to revision without notice

KOIQ36-H2-3 - Drawing No. D5IQ200808

DATE: 20-08

KOIQ36H2-3 - SPARE PARTS LIST

No.	Part Number	Part Name	Specifications	Stock No.	Qty.	Price	Remarks
1	42011-000166	Grille			1	\$33.13	
2	41207-000016	Top Cover			1	\$63.36	
3	92011-004586	Condenser			1	\$498.56	
4	41203-000030	Outdoor Motor Supporter			1	\$46.20	
5	22001-000120	Outdoor Motor			1	\$334.80	
6	42004-000091	Propeller Fan			1	\$77.64	
7	41205-000125	Left grille supporter			1	\$23.04	
8	41206-000046	Front Plate			1	\$121.99	
9	42011-000031	Fan Guard			1	\$52.67	
10	92007-002096	Capillary Assembly			1	\$22.46	
11	92014-000300	Compressor			1	\$538.34	
12	92008-000206	4-way Valve			1	\$99.55	
13	92007-000984	4-way Valve Assembly			1	\$234.63	
14	41202-000229	Base			1		
15	92008-000047	Two-way Valve			1	\$27.94	
16	41204-000011	Valve Supporter			1	\$12.24	
17	92008-000119	Three-way Valve			1	\$58.80	
18	41205-000064	Right Plate			1	\$62.76	
19	41201-000043	Electrical Box Cover			1	\$14.83	
20	42001-000038	Cable clamp			1	\$0.90	
21	11304-100045	Terminal			1	\$14.11	
22	31201-000981	Outdoor PCB Assembly			1	\$383.36	
23	22011-000004	Inductor			1	\$140.05	
24	41208-000176	Partition plate			1	\$51.60	

This information is to be used by qualified HVAC technicians only and is subject to revision without notice

KOIQ36H2-3- Parts List No. P2IQ200808

Above prices are subject to S&H charges

DATE 20-08

KOIQ36H2-3 - SPARE PARTS LIST

No.	Part Number	Part Name	Specifications	Stock No.	Qty.	Price	Remarks
25	10104-100039	Pipe Temp. sensor and outdoor Temp. sensor			1	\$14.76	Not shown in exploded view
26	10104-100037	Discharge Temp. sensor			1	\$10.08	
27	22004-000010	Heater			1		
28	A2005-000509	Base carton			1	\$27.94	
29	A1201-009881	Cabinet Carton			1	\$99.00	
30	A1202-000022	Base Foaming			1	\$29.83	
31	41213-000017	Cover Forming			1	\$17.57	

This information is to be used by qualified HVAC technicians only and is subject to revision without notice

KOIQ36H2-3- Parts List No. P2IQ200808

Above prices are subject to S&H charges

DATE 20-08