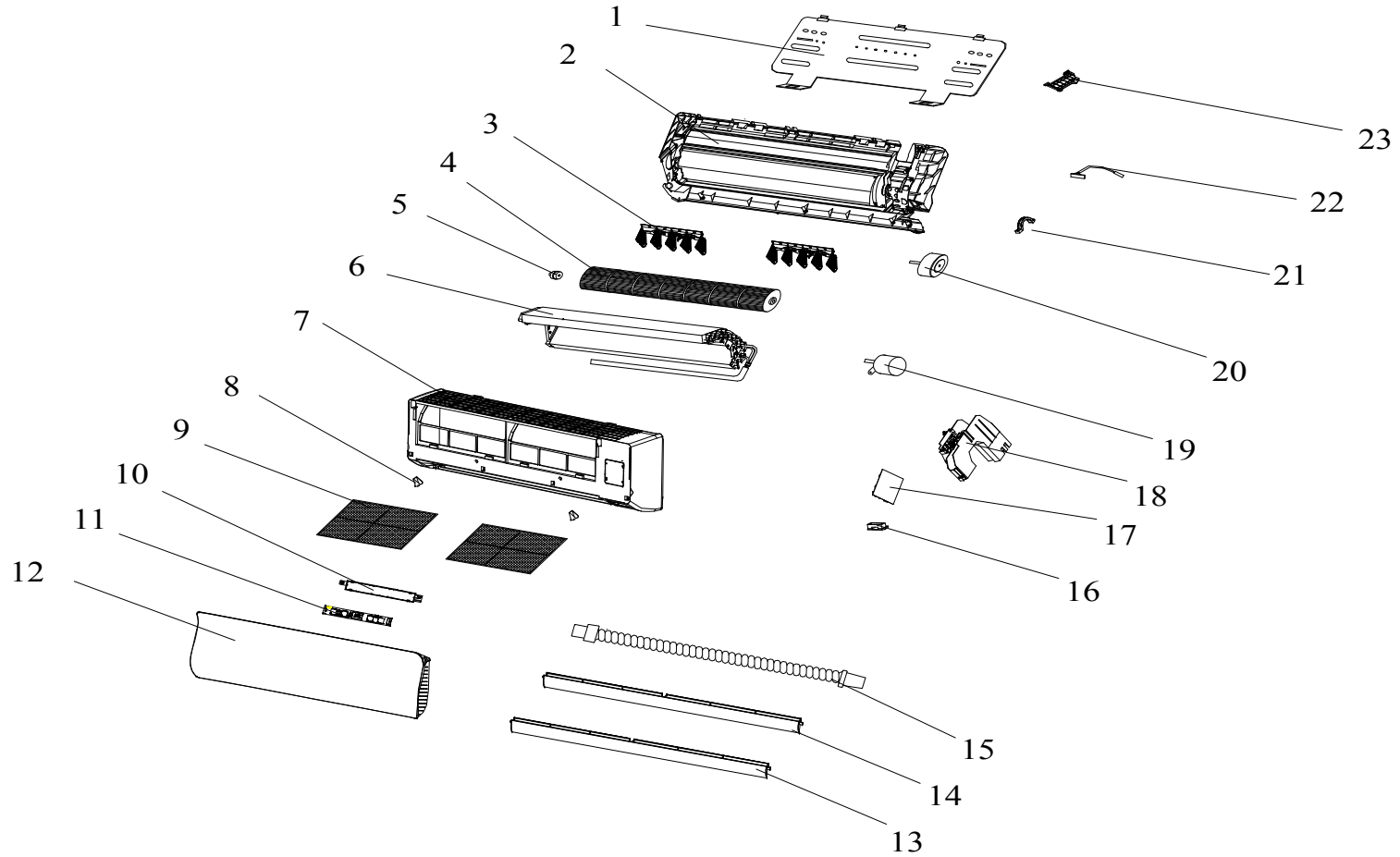


EXPLODED DIAGRAM - PARTS VIEW

Sales Model : **KIWQ24H2-3T**

Power Supply : 208-230V / 1ph / 60Hz



This information is to be used by qualified HVAC technicians only and is subject to revision without notice

KIWQ24-H2-3T - Drawing No. D5WQ200805

DATE: 20-08

KIWQ24H2-3T - SPARE PARTS LIST

No.	Part Number	Part Name	Specifications	Stock No.	Qty.	Price	Remarks
1	41109-000028	Installation Plate			1	\$38.28	
2	41199-002746	Base			1	\$141.37	
3	41101-000035	Vertical Vane Assembly			3	\$2.16	
4	42004-000042	Cross Fan			1	\$87.52	
5	42007-000001	Bearing Mount			1	\$4.68	
6	92011-005393	Evaporator			1	\$303.86	
7	41106-002275	Face Frame			1	\$150.14	
8	41108-000066	Screw Cover			3	\$0.54	
9	42008-000053	Air Filter			2	\$22.18	
10	42003-000016	Display PCB Box			1	\$3.78	
11	31102-000109	Display PCB			1	\$41.05	
12	41106-001877	Front Panel			1	\$98.52	
13	41103-000317	Up Vane			1	\$25.34	
14	41103-000312	Down Vane			1	\$23.62	
15	42009-000004	Drainage Hose			1	\$16.42	
16	42001-000103	Cable Clamp			1	\$0.90	
17	31101-000280	Main PCB			1	\$164.22	
18	41105-000139	Electrical Box			1	\$49.37	
19	22001-000357	Vane Motor			1	\$42.77	
19	22001-000362	Vertical Motor			1	\$22.32	
20	22001-000240	Indoor Motor			1	\$164.79	
21	41108-000006	Indoor Motor Cover			1	\$15.12	
22	10104-100022	Indoor Sensor Assembly			1	\$9.72	
23	41101-000233	In And Out Pipe Fixer			1	\$3.96	

This information is to be used by qualified HVAC technicians only and is subject to revision without notice

KIWQ24H2-3T- Parts List No. P2WQ200805

Above prices are subject to S&H charges

DATE 20-08

KIWQ24H2-3T - SPARE PARTS LIST

No.	Part Number	Part Name	Specifications	Stock No.	Qty.	Price	Remarks
24	22013-002294	Remote Controller			1	\$46.07	Not shown in exploded view
25	32001-000140	WIFI module			1	\$56.76	
26	A1101-009213	Indoor Carton			1	\$53.04	
27	A2004-000273	Left Foaming			1	\$27.98	
28	A2004-000322	Right Foaming			1	\$30.76	
29	A1101-005787	Middle Pasteboard Supporter			1	\$14.40	

This information is to be used by qualified HVAC technicians only and is subject to revision without notice

KIWQ24H2-3T- Parts List No. P2WQ200805

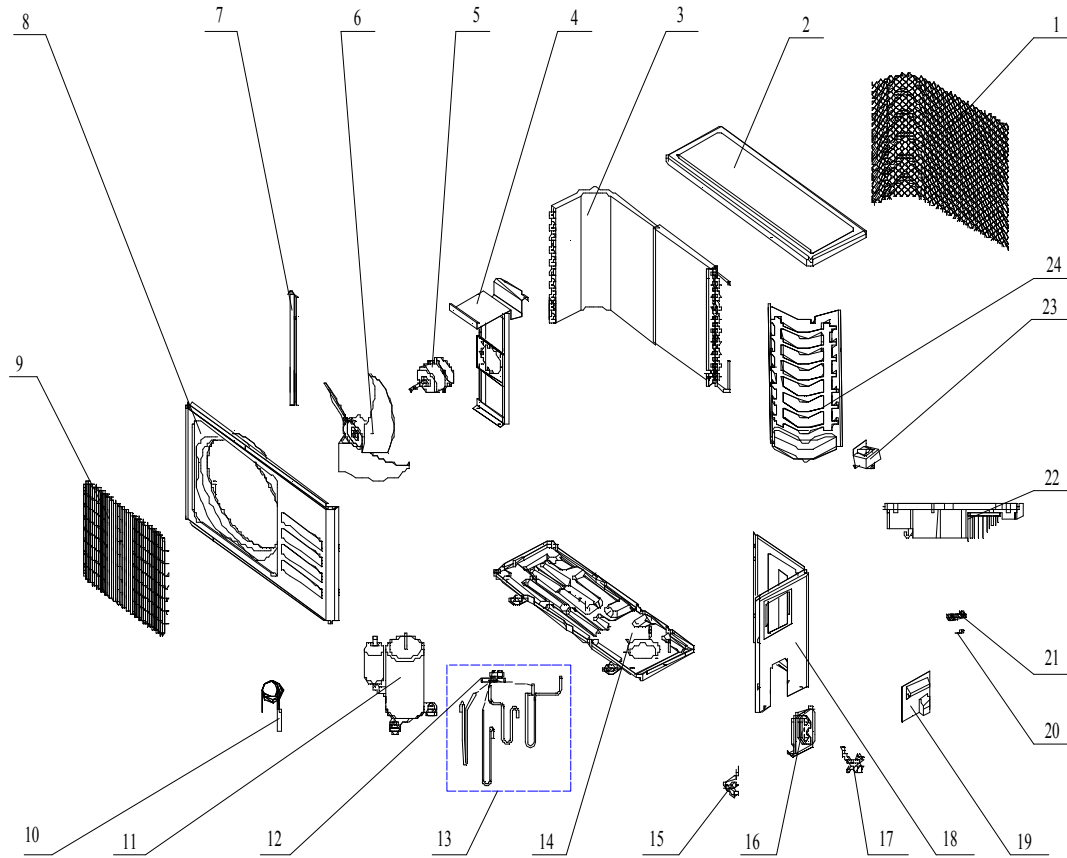
Above prices are subject to S&H charges

DATE 20-08

EXPLODED DIAGRAM - PARTS VIEW

Sales Model : KOIQ24H2-3

Power Supply : 208-230V / 1ph / 60Hz



This information is to be used by qualified HVAC technicians only and is subject to revision without notice

KOIQ24-H2-3 - Drawing No. D5IQ200806

DATE: 20-08

KIWQ24H2-3T - SPARE PARTS LIST

No.	Part Number	Part Name	Specifications	Stock No.	Qty.	Price	Remarks
1	42011-000187	Grille	1		1	\$28.94	
2	41207-000028	Top Cover	1		1	\$61.08	
3	92011-000834	Condenser	1		1	\$355.42	
4	41203-000046	Outdoor Motor Supporter	1		1	\$34.98	
5	22001-000120	Outdoor Motor	1		1	\$334.80	
6	42004-000105	Propeller Fan	1		1	\$67.32	
7	41205-000117	Left grille supporter	1		1	\$27.79	
8	41206-000058	Front Plate	1		1	\$85.44	
9	42011-000039	Fan Guard	1		1	\$51.74	
10	92007-002125	Capillary Assembly	1		1	\$16.27	
11	92014-000474	Compressor	1		1	\$409.77	
12	92008-000207	4-way Valve	1		1	\$105.67	
13	92007-000983	4-way Valve Assembly	1		1	\$207.54	
14	41202-000237	Base	1		1	\$93.36	
15	92008-000051	Two-way Valve	1		1	\$16.27	
16	41204-000018	Valve Supporter	1		1	\$11.70	
17	92008-000141	Three-way Valve	1		1	\$32.74	
18	41205-000088	Right Plate	1		1	\$47.52	
19	41201-000044	Electrical Box Cover	1		1	\$13.50	
20	42001-000038	Cable clamp	1		1	\$0.90	
21	11304-100045	Terminal	1		1	\$14.11	
22	31201-000978	Outdoor PCB Assembly	1		1	\$383.27	
23	22011-000004	Inductor	1		1	\$140.05	
24	41208-000155	Partition plate	1		1	\$27.85	

This information is to be used by qualified HVAC technicians only and is subject to revision without notice

KOIQ24H2-3- Parts List No. P2IQ200806

Above prices are subject to S&H charges

DATE 20-08

KIWQ24H2-3T - SPARE PARTS LIST

No.	Part Number	Part Name	Specifications	Stock No.	Qty.	Price	Remarks
25	10104-100039	Pipe Temp. sensor and outdoor Temp. sensor	1		1	\$14.76	Not shown in exploded view
26	10104-100037	Discharge Temp. sensor	1		1	\$10.08	
27	22004-000010	Heater	1		1	\$113.63	
28	A2005-000542	Base carton	1		1	\$18.29	
29	A1201-009871	Cabinet Carton	1		1	\$62.88	
30	A1202-000042	Base Foaming	1		1	\$27.36	
31	41213-000033	Cover Forming	1		1	\$26.50	

This information is to be used by qualified HVAC technicians only and is subject to revision without notice

KOIQ24H2-3- Parts List No. P2IQ200806

Above prices are subject to S&H charges

DATE 20-08