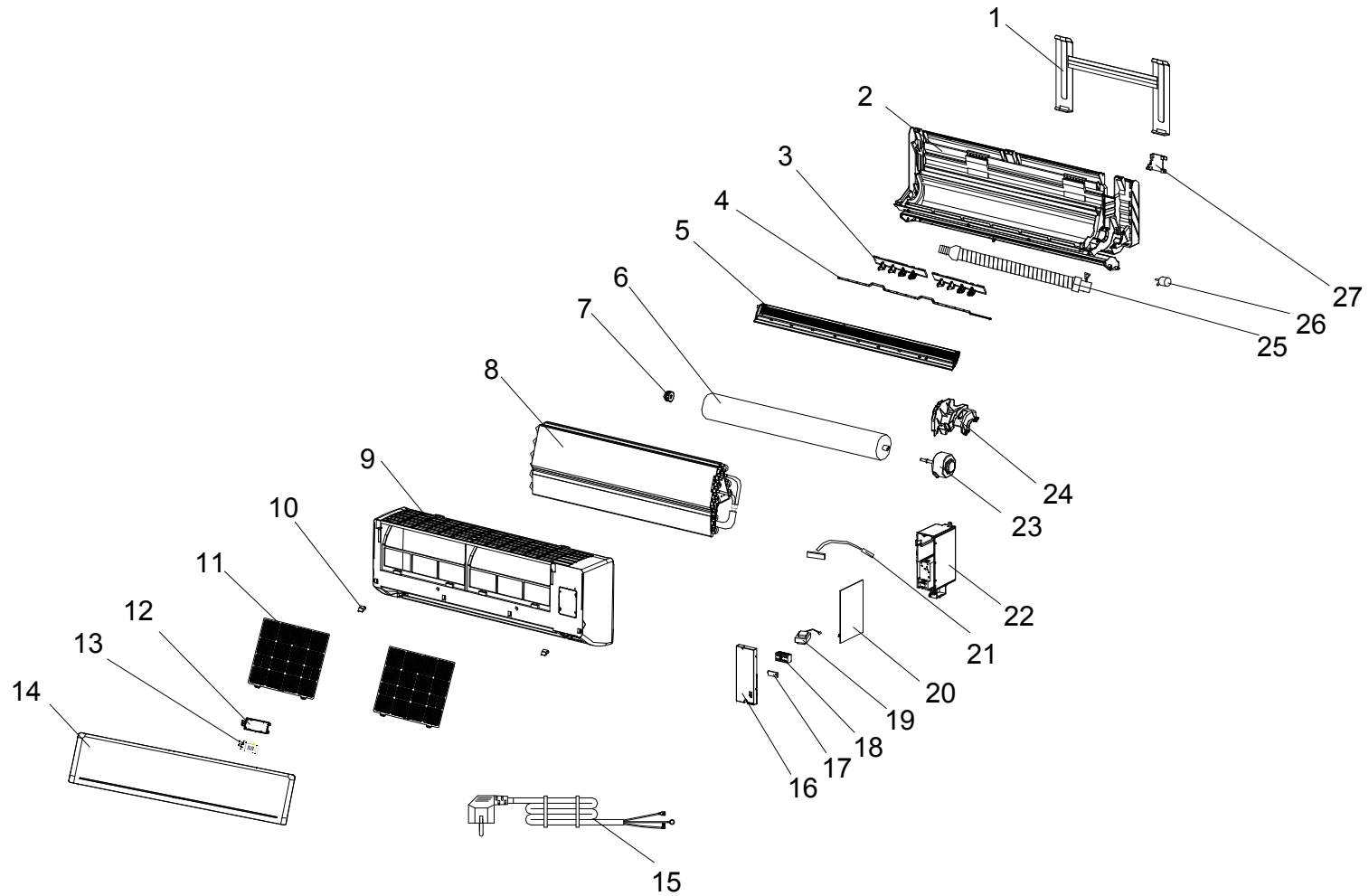


EXPLODED DIAGRAM - PARTS VIEW

Sales Model : **KIWQ18H2-3T**

Power Supply : 208-230V / 1ph / 60Hz



This information is to be used by qualified HVAC technicians only and is subject to revision without notice

KIWQ18-H2-3T - Drawing No. D5WQ200803

DATE: 20-08

KIWQ18H2-3T - SPARE PARTS LIST

No.	Part Number	Part Name	Specifications	Stock No.	Qty.	Price	Remarks
1	41109-000019	Installation Plate			1	\$21.17	
2	41102-000069	Base			1	\$113.32	
3	41101-000042	Vertical Vane Assembly			3	\$2.16	
4	41507-000076	Vertical Vane Connector			1	\$2.70	
5	41103-000178	Vane			1	\$24.05	
6	42004-000002	Cross Fan			1	\$57.60	
7	42007-000001	Bearing Mount			1	\$4.68	
8	92011-005392	Evaporator			1	\$286.13	
9	41106-002351	Face Frame			1	\$93.23	
10	41108-000066	Screw Cover			2	\$0.54	
11	42008-000069	Air Filter			2	\$17.28	
12	42003-000001	Display PCB Box			1	\$1.98	
13	31102-000085	Display PCB			1	\$48.97	
14	41106-002149	Front Panel			1	\$69.84	
15	/	Power Supply Cord			1		
16	41105-000178	Electrical Box Cover			1	\$28.94	
17	42001-000103	Cable Clamp			1	\$0.90	
18	11304-100063	Terminal			1	\$12.38	
19	/	Transformer			1		
20	31101-000238	Main PCB			1	\$169.52	
21	10104-100014	Indoor Sensor Assembly			1	\$10.62	
22	41105-000134	Electrical Box			1	\$52.80	
23	22001-000240	Indoor Motor			1	\$164.79	
24	42003-000045	Indoor Motor Cover			1	\$17.28	
25	42009-000011	Drainage Hose			1	\$10.98	
26	22001-000321	Vane Motor			1	\$23.04	

This information is to be used by qualified HVAC technicians only and is subject to revision without notice

KIWQ18H2-3T- Parts List No. P2WQ200803

Above prices are subject to S&H charges

DATE 20-08

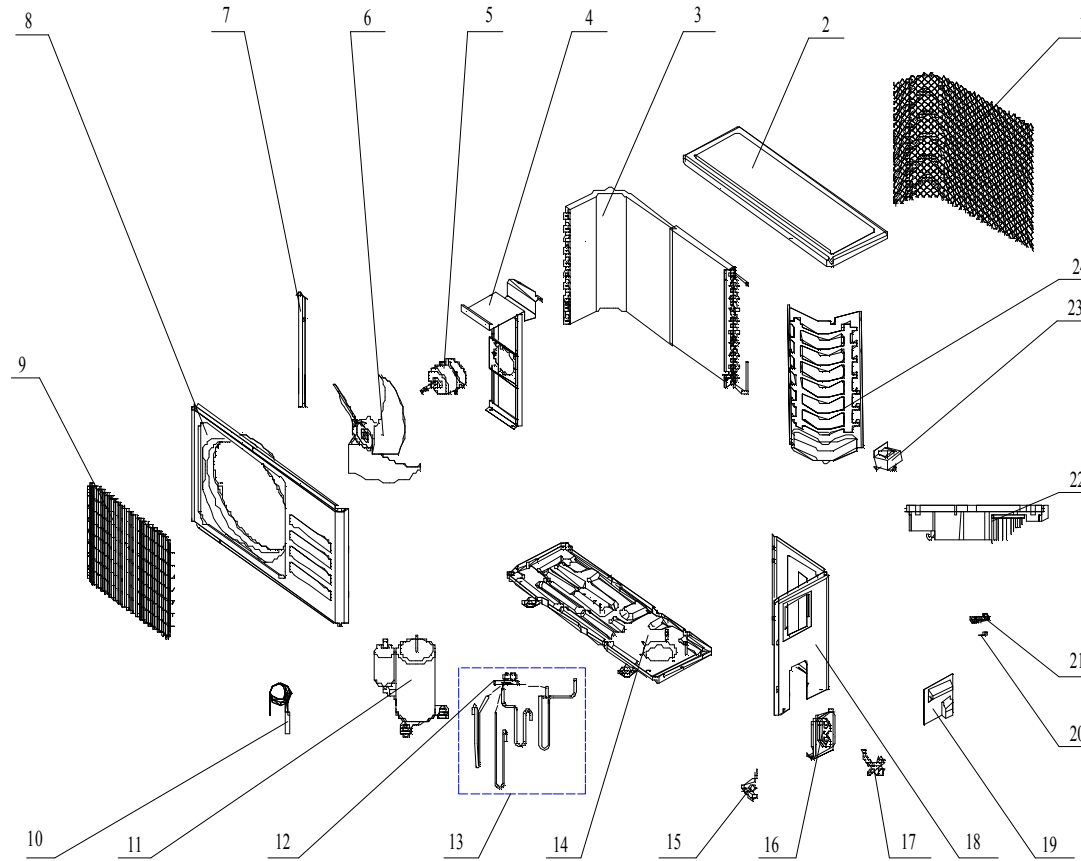
KIWQ18H2-3T - SPARE PARTS LIST

No.	Part Number	Part Name	Specifications	Stock No.	Qty.	Price	Remarks
26	22001-000318	Vane Motor			1	\$20.74	
27	41101-000224	In And Out Pipe Fixer			1	\$2.52	
28	22013-002294	Remote Controller			1	\$46.07	Not shown in Exploded view
29	A1101-009212	Indoor Carton			1	\$40.92	
30	A2006-000070	Left Foaming			1	\$12.24	
31	A2006-000068	Right Foaming			1	\$12.24	

EXPLODED DIAGRAM - PARTS VIEW

Sales Model : KOIQ18H2-3

Power Supply : 208-230V / 1ph / 60Hz



KOIQ18-H2-3 - Drawing No. D5WQ200804

DATE: 20-08

KIWQ18H2-3T - SPARE PARTS LIST

No.	Part Number	Part Name	Specifications	Stock No.	Qty.	Price	Remarks
1	42011-000168	Grille			1	\$28.80	
2	41207-000033	Top Cover			1	\$50.88	
3	92011-000837	Condenser			1	\$304.32	
4	41203-000052	Outdoor Motor Supporter			1	\$29.70	
5	22001-000096	Outdoor Motor			1	\$211.77	
6	42004-000104	Propeller Fan			1	\$45.14	
7	41205-000119	Left grille supporter			1	\$21.17	
8	41206-000057	Front Plate			1	\$62.04	
9	42011-000040	Fan Guard			1	\$52.01	
10	92007-002112	Capillary Assembly			1	\$16.85	
11	92014-000318	Compressor			1	\$386.43	
12	92008-000207	4-way Valve			1	\$105.67	
13	92007-000971	4-way Valve Assembly			1	\$153.99	
14	41202-000252	Base			1	\$90.47	
15	92008-000051	Two-way Valve			1	\$16.27	
16	41204-000018	Valve Supporter			1	\$9.00	
17	92008-000146	Three-way Valve			1	\$54.38	
18	41205-000090	Right Plate			1	\$37.49	
19	41201-000044	Electrical Box Cover			1	\$13.50	
20	42001-000038	Cable clamp			1	\$0.90	
21	11304-100045	Terminal			1	\$14.11	
22	31201-000967	Outdoor PCB Assembly			1	\$390.41	
23	22011-000014	Inductor			1	\$115.67	
24	41208-000154	Partition plate			1	\$29.17	

This information is to be used by qualified HVAC technicians only and is subject to revision without notice

KOIQ18H2-3- Parts List No. P2IQ200804

Above prices are subject to S&H charges

DATE 20-08

KIWQ18H2-3T - SPARE PARTS LIST

No.	Part Number	Part Name	Specifications	Stock No.	Qty.	Price	Remarks
25	10104-100038	Pipe Temp. sensor and outdoor Temp. sensor			1	\$14.40	Not shown in exploded view
26	10104-100036	Discharge Temp. sensor			1	\$10.62	
27	A2005-000532	Base carton				\$16.13	
28	A1201-009870	Cabinet Carton			1	\$50.95	
29	A1202-000037	Base Foaming			1	\$16.99	
30	41213-000031	Cover Forming			1	\$15.55	