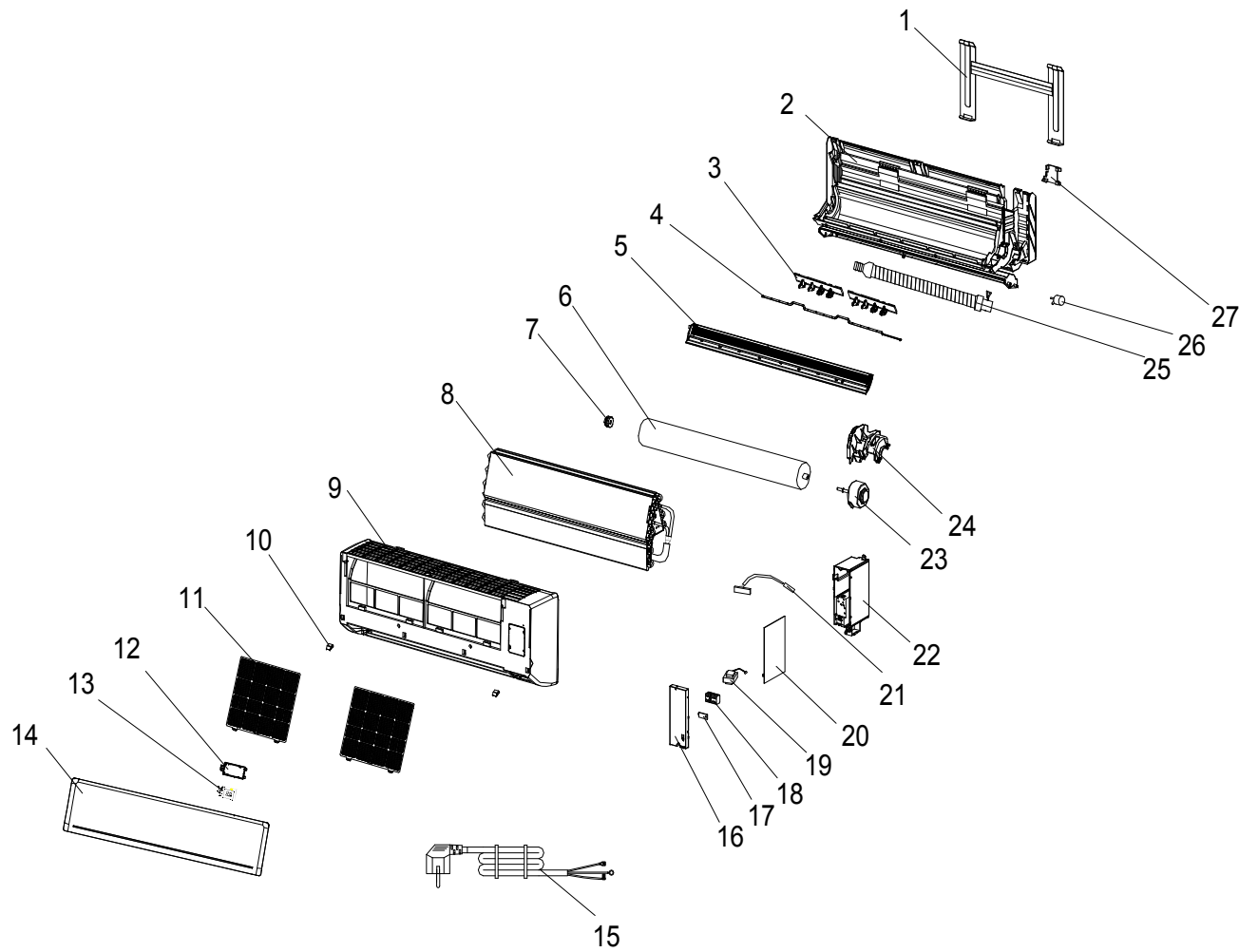


EXPLODED DIAGRAM - PARTS VIEW

Sales Model: KIWQ12H1-3T

Power Supply: 115V / 60Hz



This information is to be used by qualified HVAC technicians only and is subject to revision without notice

KIWQ12-H1-3T - Drawing No. D5WQ200801

DATE: 20-08

KIWQ12H1-3T - SPARE PARTS LIST

No.	Part Number	Part Name	Specifications	Stock No.	Qty.	Price	Remarks
1	41109-000053	Installation Plate	1		1	\$17.28	
2	41102-000381	Base	1		1	\$103.73	
3	41101-000033	Vertical Vane Assembly	2		2	\$2.88	
4	/	Vertical Vane Connector	1		1	—	
5	41103-000224	Vane	1		1	\$14.22	
6	42004-000001	Cross Fan	1		1	\$48.31	
7	42007-000001	Bearing Mount	1		1	\$4.68	
8	92011-005379	Evaporator	1		1	\$268.65	
9	41106-002375	Face Frame	1		1	\$74.76	
10	41108-000066	Screw Cover	1		1	\$0.54	
11	42008-000047	Air Filter	2		2	\$11.34	
12	42003-000016	Display PCB Box	1		1	\$3.78	
13	31102-000085	Display PCB	1		1	\$48.97	
14	41106-001863	Front Panel	1		1	\$46.60	
15	/	Power Supply Cord	1		1	\$53.04	
16	41105-000179	Electrical Box Cover	1		1	\$20.74	
17	42001-000103	Cable Clamp	1		1	\$1.08	
18	11304-100063	Terminal	1		1	\$12.38	
19	/	Transformer	1		1	—	
20	31101-000265	Main PCB	1		1	\$162.89	
21	10104-100014	Indoor Sensor Assembly	1		1	\$10.62	
22	41105-000134	Electrical Box	1		1	\$52.80	
23	22001-000307	Indoor Motor	1		1	\$112.30	
24	42003-000051	Indoor Motor Cover	1		1	\$8.10	
25	42009-000011	Drainage Hose	1		1	\$10.98	
26	22001-000313	Vane Motor	1		1	\$16.70	
27	41101-000242	In And Out Pipe Fixer	1		1	\$1.80	

This information is to be used by qualified HVAC technicians only and is subject to revision without notice

KIWQ12H1- Parts List No. P2WQ2008

Above prices are subject to S&H charges

DATE 20-08

KIWQ12H1-3T - SPARE PARTS LIST

No.	Part Number	Part Name	Specifications	Stock No.	Qty.	Price	Remarks
28	22013-002294	Remote Controller	1		1	\$46.07	Not shown in Explosion view
29	A1101-009207	Indoor Carton	1		1	\$46.46	
30	41110-000220	Left Foaming	1		1	\$12.06	
31	41110-000263	Right Foaming	1		1	\$12.06	

This information is to be used by qualified HVAC technicians only and is subject to revision without notice

KIWQ12H1- Parts List No. P2WQ2008

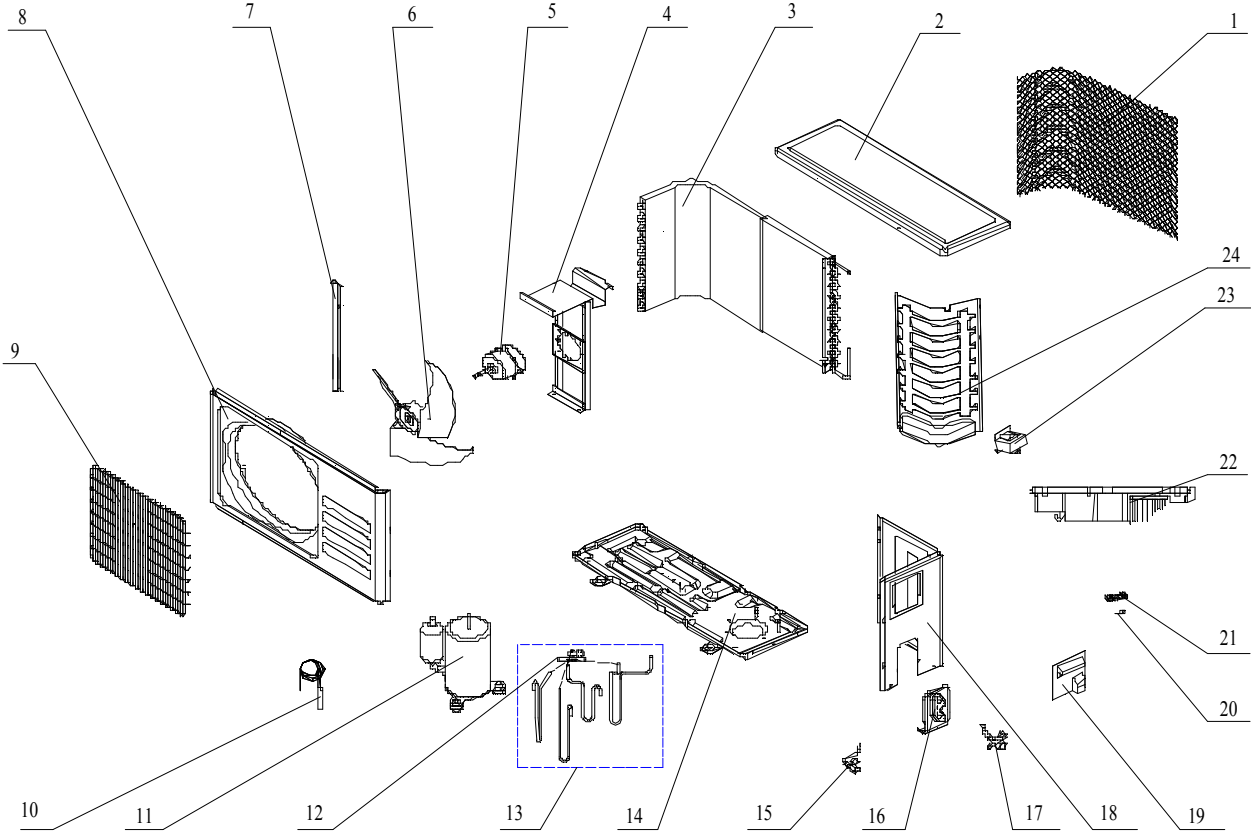
Above prices are subject to S&H charges

DATE 20-08

EXPLODED DIAGRAM - PARTS VIEW

Sales Model : KOIQ12H1-3

Power Supply : 115V / 60Hz



This information is to be used by qualified HVAC technicians only and is subject to revision without notice

KOIQ12H1-3T - Drawing No. D1IQ200802

DATE: 20-08

KOIQ12H1-3 - SPARE PARTS LIST

No.	Part Number	Part Name	Specifications	Stock No.	Qty.	Price	Remarks
1	42011-000185	Grille			1	\$29.09	
2	41207-000040	Top Cover			1	\$35.24	
3	92011-000839	Condenser			1	\$281.30	
4	41203-000017	Outdoor Motor Supporter			1	\$17.71	
5	22001-000049	Outdoor Motor			1	\$157.59	
6	42004-000103	Propeller Fan			1	\$29.57	
7	41205-000120	Left grille supporter			1	\$21.17	
8	41206-000059	Front Plate			1	\$58.56	
9	42011-000041	Fan Guard			1	\$34.45	
10	92007-002097	Capillary Assembly			1	\$22.90	
11	92014-000142	Compressor			1	\$299.68	
12	92008-000208	4-way Valve			1	\$97.68	
13	92007-000990	4-way Valve Assembly			1	\$156.67	
14	41202-000228	Base			1	\$60.96	
15	92008-000051	Two-way Valve			1	\$16.27	
16	41204-000018	Valve Supporter			1	\$11.70	
17	92008-000146	Three-way Valve			1	\$54.38	
18	41205-000091	Right Plate			1	\$29.23	
19	41201-000044	Electrical Box Cover			1	\$13.50	
20	42001-000038	Cable clamp			1	\$0.90	
21	11304-100046	Terminal			1	\$14.11	
22	31201-000973	Outdoor PCB Assembly			1	\$318.95	
23	22011-000011	Inductor			1	\$145.76	
24	41208-000147	Partition plate			1	\$24.77	

This information is to be used by qualified HVAC technicians only and is subject to revision without notice

KOIQ12H1-3 - Parts List No. P2IQ2008

Above prices are subject to S&H charges

DATE 20-08

KOIQ12H1-3 - SPARE PARTS LIST

No.	Part Number	Part Name	Specifications	Stock No.	Qty.	Price	Remarks
25	10104-100033	Pipe Temp. sensor and outdoor Temp. sensor			1	\$13.54	Not shown in exploded view
26	10104-100036	Discharge Temp. sensor			1	\$10.62	
27	A2005-000536	Base carton			1	\$21.46	
28	A1201-009866	Cabinet Carton			1	\$40.26	
29	A1202-000041	Base Foaming			1	\$12.38	
30	#N/A	Cover Forming			1	\$10.80	

This information is to be used by qualified HVAC technicians only and is subject to revision without notice

KOIQ12H1-3 - Parts List No. P2IQ2008

Above prices are subject to S&H charges

DATE 20-08