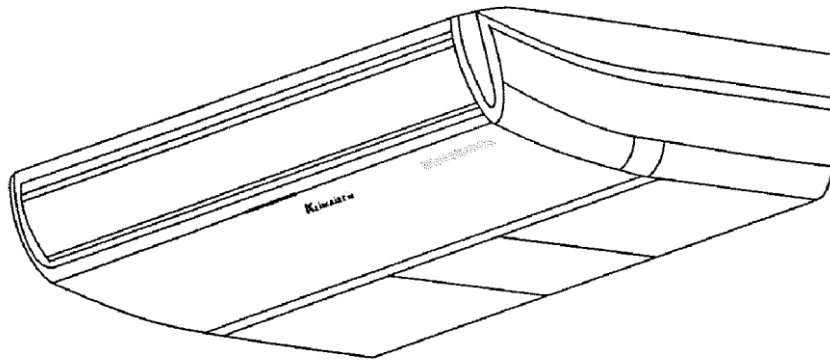


KIFLIF

SERIES



KLIMAIRE®

Ceiling And Floor Type AIR CONDITIONER

TROUBLESHOOTING



Unit Symptom

Symptoms	Causes	Solution
Unit Do Not Start	<ul style="list-style-type: none"> Power Failure Power Switch is Off Blown Out Fuse Remote Controller Problem 	<ul style="list-style-type: none"> Wait for Power to Comeback Switch On the Power Supply Replace Fuse / Reset Breaker Check Controller /Replace Batteries.
Good Airflow but Not Cooling	<ul style="list-style-type: none"> Temperature is not set correctly Unit in 3 minutes time delay 	<ul style="list-style-type: none"> Set the desired temperature Wait for the outdoor unit to run.
Unit Start or Stop Frequently	<ul style="list-style-type: none"> Refrigerant is too little or too much. Air is present in the system Compressor Malfunction Voltage is too high or too low 	<ul style="list-style-type: none"> Check and repair gas leak and rightly charge refrigerant Vacuum and recharge refrigerant gas. Replace the compressor Install a voltage regulator
Low Cooling Effect	<ul style="list-style-type: none"> Indoor and Outdoor heat exchanger are dirty. Air Filters are dirty Supply and return air are blocked. Room doors and windows are open. Outdoor Temperature is too high Lack of refrigerant gas. 	<ul style="list-style-type: none"> Clean the heat exchanger Clean the air filter Remove things that are blocking the supply and return air. Close doors and windows Consider relocating the outdoor unit in a shade. Check for leak and recharge with refrigerant gas.

Remote Control Symptom

Symptoms	Causes	Solution
The Fan Speed cannot be changed	<ul style="list-style-type: none"> Check whether the MODE indicated on the display is "AUTO" Check whether the MODE indicated on the display is "DRY" 	<ul style="list-style-type: none"> When AUTO mode is selected, the air conditioner will automatically change the fan speed. When DRY mode is selected, The fan speed is automatically selected.
Remote Controller cannot transmit signal	<ul style="list-style-type: none"> Check remote control batteries 	<ul style="list-style-type: none"> Replace Batteries Check if Unit has power supply.



The Klimaïre logo is a registered Trademark of Klimaïre Products inc.
Copyright 2014 Klimaïre Products Inc.

2190 NW 89 Place, Doral, FL 33172 - USA

Tel: (305)593-8358 Fax (305) 675-2212

www.klimaïre.com sales@klimaïre.com

The design and specifications are subject to change without prior notice for product improvement. Consult with the sales agency or manufacturer for details