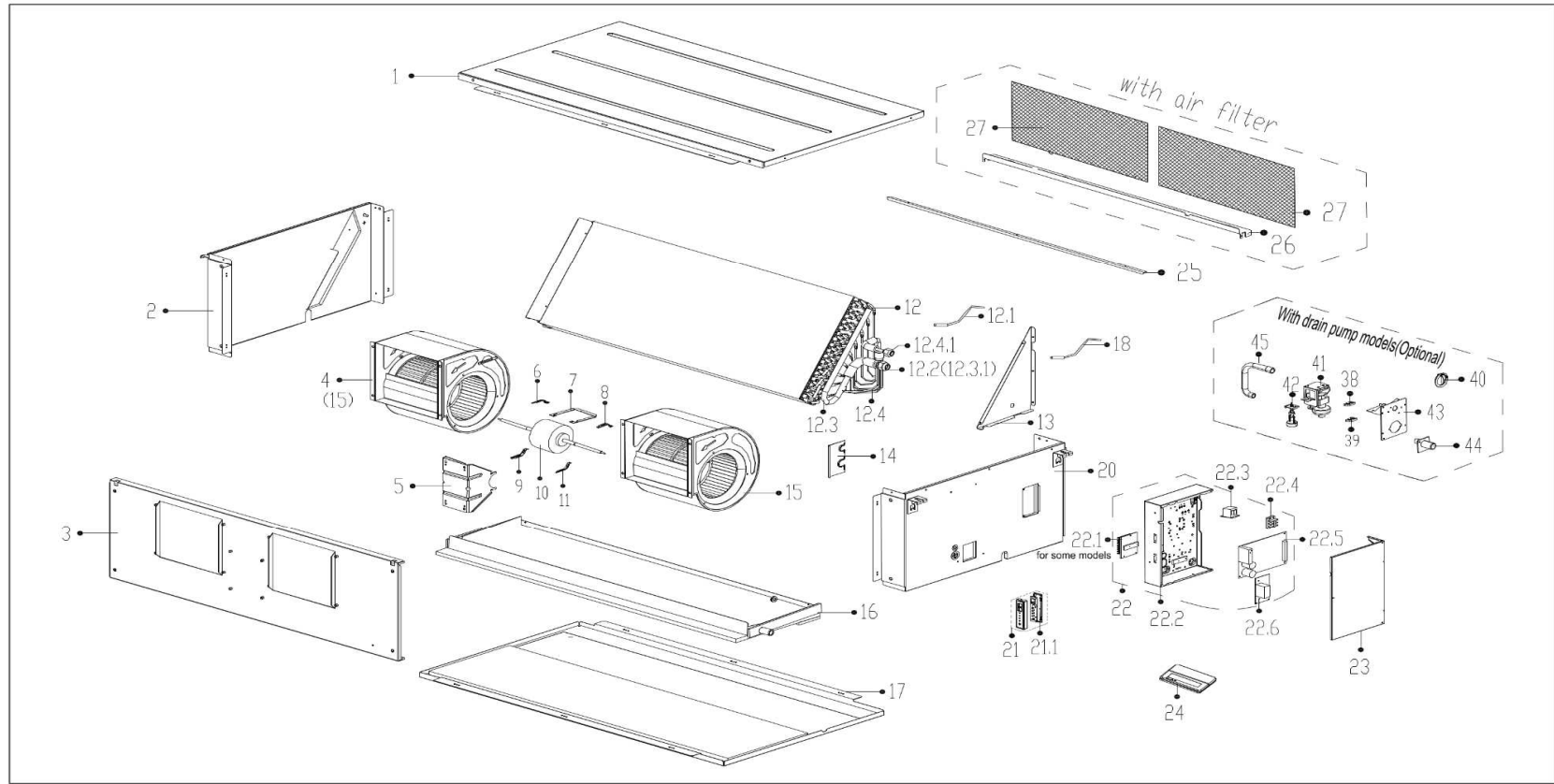


# EXPLODED DIAGRAM - PARTS VIEW

**Sale Model :** KDIS060-H2G1 | (62230-57196809)

**Power Supply :** 208-230V / 1ph / 60Hz



This information is to be used by qualified HVAC technicians only and is subject to revision without notice

KDIS060-H2G1 - Drawing No. D5DS190501

DATE 19-05

## KDIS060-H2G1 - SPARE PARTS LIST

No.	Part Number	Description	Specifications	Stock No.	Qty.	Price	Remarks
1	12223000A04154	Top cover subassembly			1	\$207.00	
2	12223000A04153	Left clapboard subassembly			1	\$91.80	
3	12223000A04156	Front clapboard assembly			1	\$163.20	
5	12223000008750	Fan motor support			1	\$35.20	
6	12223000000532	Fan motor cover			1	\$1.50	
7	12223000008751	Fan motor fixing board			1	\$4.50	
8	12223000000531	Fan motor cover			1	\$1.50	
9	12223000000530	Fan motor cover			1	\$1.50	
10	11002015003981	Brushless DC Motor			1	\$594.30	
11	12223000000529	Fan motor cover			1	\$1.50	
12	15823000004609	Evaporator assembly			1	\$651.70	
12.1	11201007000047	Pipe temperature sensor			1	\$9.00	
12.2	15500406000008	Copper nut			1	\$16.80	
12.3	15123000000320	Evaporator outlet pipe subassembly			1	\$90.95	
12.4	15123000000412	Evaporator inlet pipe subassembly			1	\$92.65	
12.4.1	15500406000010	Copper nut			1	\$7.50	
13	12223000A04152	Evaporator right support board subassby			1	\$16.80	
14	12223000A04189	Pipe clamp board subassembly			1	\$3.00	
15	12200101000005	Fan			2	\$266.25	
16	12223000A04159	Water collector subassembly			1	\$208.50	
17	12223000A04158	Chassis subassembly			1	\$181.50	
18	11201007000060	Room Temperature Sensor			1	\$6.00	
20	12223000A04151	Right clapboard subassembly			1	\$90.10	
21	17223000000003	Duct display board subassembly			1	\$38.50	
21.1	17123000002712	Duct display board subassembly			1	\$33.00	

This information is to be used by qualified HVAC technicians only and is subject to revision without notice

KDIS060-H2G1 - Parts List No. P5DS190501

Above prices are subject to S&H charges

DATE 19-05

## KDIS060-H2G1 - SPARE PARTS LIST

No.	Part Number	Description	Specifications	Stock No.	Qty.	Price	Remarks
22	17223000004936	E-Parts Box assembly			1	\$319.18	
22.2	12223000008007	Electronic control box			1	\$53.90	
22.3	17400306000070	Reactor			1	\$66.00	
22.4	17400401000085	Wire joint			1	\$25.20	
22.5	17123000004052	Duct main control board subassmby			1	\$204.00	
22.6	17122000036368	Inverter module subassembly			1	\$285.60	
23	12223000010291	Cover of electronic control box			1	\$21.60	
24	17317100003015	Wired controller			1	\$109.65	
25	12223000000469	Flange barrier board			4	\$21.60	
27	12100204A00037	Air filter			1	\$83.00	
27	12223000A00087	Filter filter clamp			4	\$1.50	
38	12622500000004	Drain pump rubber washer			1	\$4.50	
39	12622500000003	Drain pump rubber washer			1	\$4.50	
40	12123000000043	Cover of water testing hole			1	\$1.50	
41	17400802000021	Water pump			1	\$100.00	
42	11201005000006	Water level sensor			1	\$21.60	
43	12223000000571	Exhaust pump subassembly			1	\$13.50	
44	12100510000021	Drain pipe			1	\$3.00	
45	12623000000003	Rubber tube			1	\$24.00	

This information is to be used by qualified HVAC technicians only and is subject to revision without notice

KDIS060-H2G1 - Parts List No. P5DS190501

Above prices are subject to S&H charges

DATE 19-05